

# Endschalterbox mit mechanischen Ex d Wechselschaltern, Ex e / Ex t

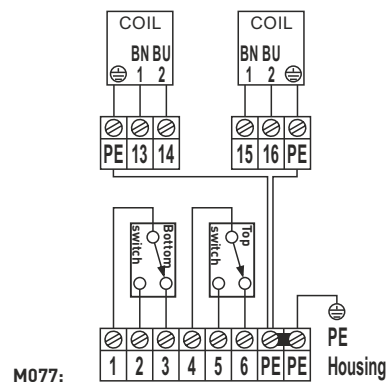
Limit switch box with mechanical Ex d mechanical changeover switches , Ex e / Ex t



<b>Endschaltertyp</b> Switch type	<b>Bartec, 07-1511-1030</b> (SPDT, NO/NC)	<b>Bartec, 07-1511-3530</b> (SPDT, NO/NC)	<b>Crouzet, 83139 1</b> (SPDT, NO/NC)
<b>Spannung</b> Voltage	24 - 250 V AC/DC	24 - 250 V AC/DC	24 - 240 V AC/DC
<b>Betriebsstrom</b> Operating current	0,1 - 4 A	20 - 400 mA	0,15 - 4 A
<b>Kontakte</b> Contacts	Silber Silver	Gold	Silber Silver
<b>SIL Level</b> SIL Level	SIL 1 - 3 (IEC 61508:2010)	SIL 1 - 3 (IEC 61508:2010)	SIL 1 - 3 (IEC 61508:2010)
<b>ATEX/IECEx</b> ATEX/IECEx	⊕ II 2G Ex db eb IIC T4 -T6 Gb ⊕ II 2D Ex tb IIIC T80 °C - T135 C Db	⊕ II 2G Ex db eb IIC T4 -T6 Gb ⊕ II 2D Ex tb IIIC T80 °C - T135 C Db	⊕ II 2G Ex db eb IIC T4 -T6 Gb ⊕ II 2D Ex tb IIIC T80 °C - T135 C Db
<b>EU-Baumusterprüfbescheinigung</b> EU-Type examination certificate	EPS 16 ATEX 1012 X IECEX EPS 16.0006 X	EPS 16 ATEX 1012 X IECEX EPS 16.0006 X	EPS 16 ATEX 1012 X IECEX EPS 16.0006 X
<b>Ex-Zone</b> Ex zone	Zone 1 Zone 21	Zone 1 Zone 21	Zone 1 Zone 21
<b>Umgebungstemperatur</b> Ambient temperature	T6/T80°C: -20 °C ... +40 °C T5/T95°C: -20 °C ... +60 °C	T6/T80°C: -20 °C ... +40 °C T5/T95°C: -20 °C ... +60 °C	T6/T80°C: [-40 C] -25 °C ... +40 °C T5/T95°C: [-40 C] -25 °C ... +60 °C T4/T135°C: [-40 C] -25 °C ... +70 °C
<b>Max. Schalteranzahl</b> Max. number of switches	3	3	3
<b>Artikelnummer*</b> Part number*	<b>EFX2M01-551-ED</b>	<b>EFX2M01-554-ED</b>	<b>EFX2M01-388-ED</b>

\*Allgemeiner Bestellschlüssel am Kapitelende  
\*General ordering code at the end of chapter

## Klemmplan Wiring diagram



**Magnetventilanschluss:**  
1-2 Ex Spulen.  
I max. = 6A, min. 0,5mm<sup>2</sup>

Solenoid valve connection:  
1-2 Ex coils.  
I max. = 6A, min. 0,5mm<sup>2</sup>

**Optionenseite am Kapitelende**  
Options page at the end of chapter

**Siehe Gehäusedatenblatt flex EFX-ED**  
See housing data sheet flex EFX-ED

## Notizen Notes

---



---



---