







LT40

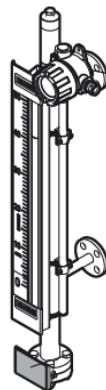
Reed Chain Level Transmitter

-  Installation, assembly, start-up and maintenance may only be performed by appropriately trained personnel. Check the nameplate for correct operating conditions.
-  For use in hazardous areas, special codes and regulations are applicable. Instruments must not be connected to power supply before reading instructions described in the supplementary manual.
-  This instrument complies with requirements of Low Voltage Directive. Instruments must not be connected to power supply before reading instructions described in the manual.
-  The responsibility as to the suitability, intended use and corrosion resistance of the used materials against the measured fluid of this device rests solely with the operator.
-  For complete documentation (manuals, supplementary manuals, data sheets and certificates) please refer to www.krohne.com/Downloads.


1 Installation

-  **Specific conditions of use to be observed:**
- The flameproof joints are not intended to be repaired.
 - Build-up of electrostatic charge on the painted enclosure shall be avoided by suitable measures.
 - Cable and cable gland suitable for the service temperature range of the equipment shall be used (refer to supplementary instructions).
 - For the relation between temperature class, maximum process temperature and maximum ambient temperature, refer to the temperature tables given in the supplementary instructions.
 - The enclosure is made of aluminium alloy, when used in a potentially explosive atmosphere requiring the use of equipment EPL Ga, the apparatus must be installed so, that even in the event of rare incidents, an ignition source due to impact or friction between the enclosure and iron/steel is excluded.

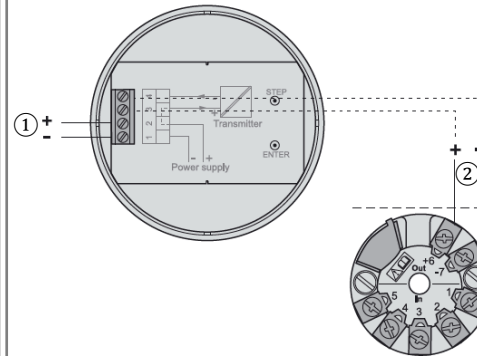
The optional LT40 Reed Chain Level Transmitter comes mounted and adjusted on the BM26A-x000.



2 Electrical connection

 **Danger:** All work on the electrical connections may only be carried out with the power disconnected. Take note of the voltage data on the nameplate. Observe the national regulations for electrical installations.

4...20 mA output or 4...20 mA + HART output

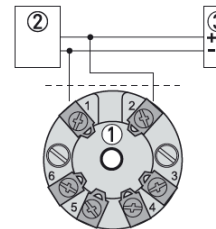


- ① Power supply terminals (-1 and +2) **with** LCD indicator:
17...35 V DC (Non-Ex, Ex d)
Red (+6) and black (-7) wires need to be connected to the output module
- ② Power supply terminals (+6 and -7) **without** LCD indicator:
10...35 V DC (Non-Ex, Ex d)
10...30 V DC (Ex i)

Error signals:

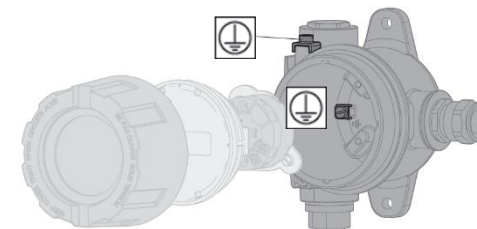
- High: 21 mA
- Low: 3.6 mA

FOUNDATION™ fieldbus or PROFIBUS PA module



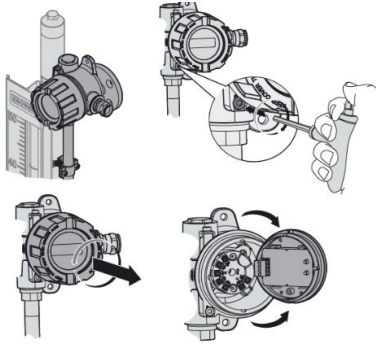
- ① Bus connection terminals (1 and 2)
9...32 V DC (Non-Ex, Ex d)
9...30 V DC (Ex i)
- ② Segment coupler
- ③ Bus termination

Grounding terminals

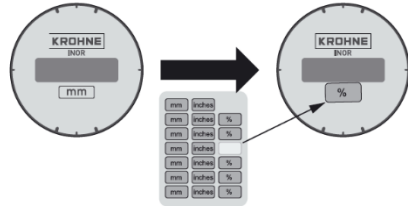


3 Change display units

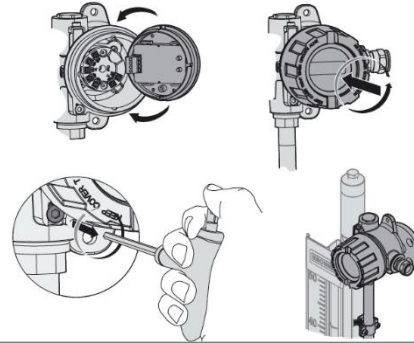
Unlock the housing cover:



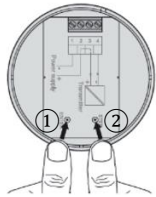
Apply new sticker on the display front:



Lock the housing cover:



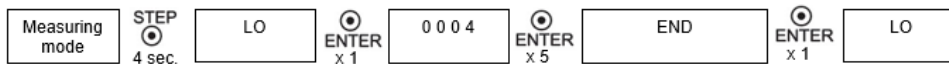
Buttons to change parameters (backside of the display):



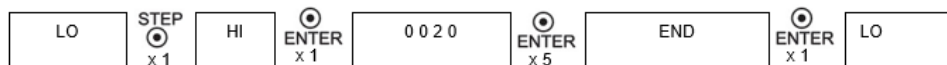
- ① STEP
- ② ENTER

4 Display percentage (0...100%) check

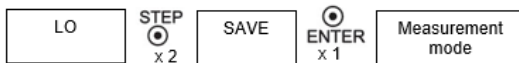
To check if the parameter for the bottom of the scale is at 0 %:



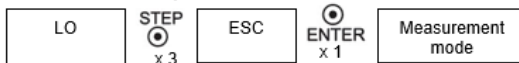
To check if the parameter for the top of the scale is at 100 %:



If the parameters are correct:



If the parameters are incorrect:



Contact

To view all KROHNE locations and contact details visit:

www.krohne.com

Then "Select your country" from the drop down list at the top left of the page