

DIFFERENTIAL PRESSURE GAUGE TYPE PBD

TYPE PBD, with double bourdon-tube system

STANDARD MODEL

Features :

- double bourdon-tube system
- corrosion resistance
- all welded construction
- pointer deflection between 90°-180°
- pressure safe upto the measuring range

Wetted parts : bourdon tube AISI316Ti/1.4571

Applications :

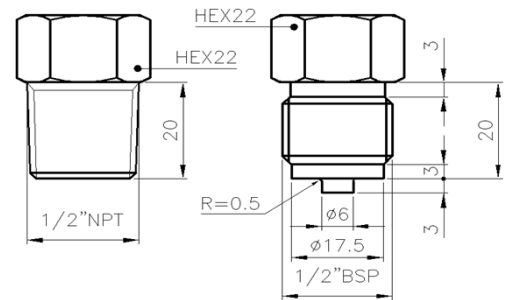
- flow measurement
- petrol chemical industry
- filter applications
- general industry
- shipping industry
- off-shore



Example: PBD100XN

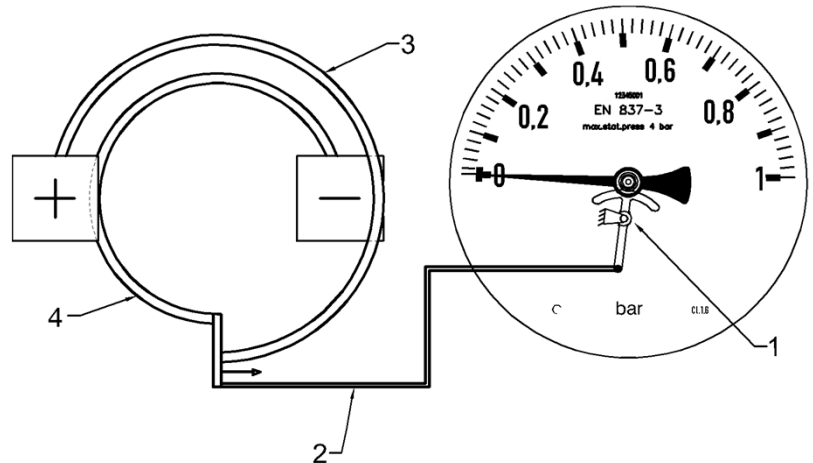
Type	max. static pressure	Range
PBD	max. 3 bar	0 - 0.6 bar
	max. 4 bar	0 - 1 bar
	max. 6 bar	0 - 1.6 bar
	max. 10 bar	0 - 2.5 bar
	max. 16 bar	0 - 4 bar
	max. 25 bar	0 - 6 bar
	max. 30 bar	0 - 10 bar
	max. 40 bar	0 - 16 bar

Standard connections



Options :

- other connections
- electrical contacts
- swivel adapters
- manifolds
- chemical seals (on demand)
- special dials



- 1 pointer mechanism
- 2 connecting rod
- 3 + bourdon tube
- 4 - bourdon tube

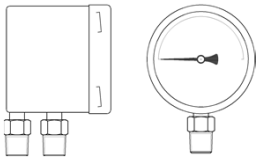
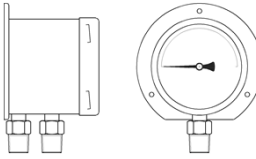
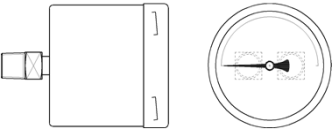
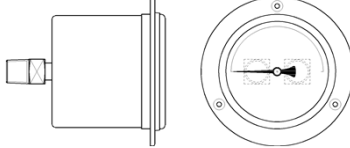
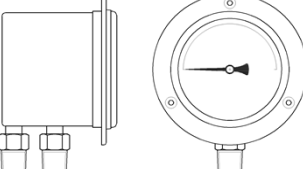
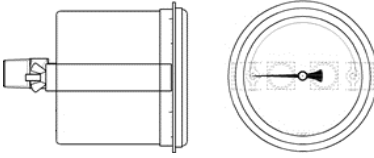
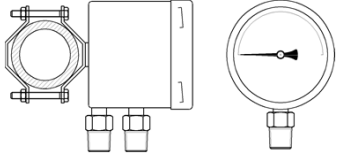
operating principle

STAINLESS STEEL DIFFERENTIAL PRESSURE GAUGE, TYPE PBD

TYPE PBD, with bourdon-tube system

STANDARD MODEL

CASE	: bayonet lock, AISI304/1.4301, IP-65	CONNECTION	: 2x 1/2"BSP or 1/2"NPT AISI316L/1.4404
WETTED PARTS	: double bourdon tube AISI316Ti/1.4571	MOVEMENT	: AISI304/1.4301
WINDOW	: safety glass	ACCURACY	: ± 1.6% F.S./class 1.6
DIAL	: aluminium, black figures on white	OPTIONS	: see page 57-65, electrical contacts
POINTER	: aluminium, black	POINTER DEFLECTION BETWEEN 100° AND 180°	

TYPE	MODEL	CASE DIAMETER (Ø in mm)	
		100	160
K		PBD100XK	PBD160XK
L		PBD100XL	PBD160XL
M		PBD100XM	PBD160XM
N		PBD100XN	PBD160XN
O		PBD100XO	PBD160XO
H		PBD100XH	PBD160XH
Y 2" Yoke (vent or hor)		PBD100XY	PBD160XY
OPTION		EXTRA COSTS	
Lx	LIQUID FILLED CASE: GLYCERINE (in combination with electrical contact: Ondina oil, see page 49)	PBD100Lx	PBD160Lx
"Hz" CONTACT DEVICE	EXCLUDING "Hz" CONTACT (see page 64)		

DIFFERENTIAL PRESSURE GAUGE TYPE PBD

TYPE	DRAWING	DIMENSIONS mm																																																						
K <i>PBDxxxXK</i>		<table border="1" style="width: 100%; border-collapse: collapse;"> <thead> <tr style="background-color: #008080; color: white;"> <th rowspan="2">DIM.</th> <th colspan="4">CASE DIAMETER</th> </tr> <tr style="background-color: #008080; color: white;"> <th>100</th> <th>160</th> <th>100 + contact</th> <th>160 + contact</th> </tr> </thead> <tbody> <tr> <td>A</td> <td>101.5</td> <td>162</td> <td>101,5</td> <td>162</td> </tr> <tr> <td>B</td> <td>97</td> <td>100</td> <td>159</td> <td>163</td> </tr> <tr> <td>C</td> <td>14</td> <td>18</td> <td>14</td> <td>18</td> </tr> <tr> <td>E</td> <td>90</td> <td>120</td> <td>90</td> <td>120</td> </tr> <tr> <td>T*</td> <td>20</td> <td>20</td> <td>20</td> <td>20</td> </tr> </tbody> </table> <p style="text-align: center; font-size: small;">* standard connection 1/2"BSP or 1/2"NPT</p>	DIM.	CASE DIAMETER				100	160	100 + contact	160 + contact	A	101.5	162	101,5	162	B	97	100	159	163	C	14	18	14	18	E	90	120	90	120	T*	20	20	20	20																				
DIM.	CASE DIAMETER																																																							
	100	160	100 + contact	160 + contact																																																				
A	101.5	162	101,5	162																																																				
B	97	100	159	163																																																				
C	14	18	14	18																																																				
E	90	120	90	120																																																				
T*	20	20	20	20																																																				
L <i>PBDxxxXL</i>		<table border="1" style="width: 100%; border-collapse: collapse;"> <thead> <tr style="background-color: #008080; color: white;"> <th rowspan="2">DIM.</th> <th colspan="4">CASE DIAMETER</th> </tr> <tr style="background-color: #008080; color: white;"> <th>100</th> <th>160</th> <th>100 + contact</th> <th>160 + contact</th> </tr> </thead> <tbody> <tr> <td>A</td> <td>101.5</td> <td>162</td> <td>101,5</td> <td>162</td> </tr> <tr> <td>B</td> <td>100</td> <td>102</td> <td>162</td> <td>165</td> </tr> <tr> <td>C</td> <td>14</td> <td>18</td> <td>14</td> <td>18</td> </tr> <tr> <td>D</td> <td>132</td> <td>196</td> <td>132</td> <td>196</td> </tr> <tr> <td>E</td> <td>90</td> <td>120</td> <td>90</td> <td>120</td> </tr> <tr> <td>P</td> <td>116</td> <td>178</td> <td>116</td> <td>178</td> </tr> <tr> <td>H</td> <td>4,5</td> <td>6</td> <td>4,5</td> <td>6</td> </tr> <tr> <td>T*</td> <td>20</td> <td>20</td> <td>20</td> <td>20</td> </tr> </tbody> </table> <p style="text-align: center; font-size: small;">* standard connection 1/2"BSP or 1/2"NPT</p>	DIM.	CASE DIAMETER				100	160	100 + contact	160 + contact	A	101.5	162	101,5	162	B	100	102	162	165	C	14	18	14	18	D	132	196	132	196	E	90	120	90	120	P	116	178	116	178	H	4,5	6	4,5	6	T*	20	20	20	20					
DIM.	CASE DIAMETER																																																							
	100	160	100 + contact	160 + contact																																																				
A	101.5	162	101,5	162																																																				
B	100	102	162	165																																																				
C	14	18	14	18																																																				
D	132	196	132	196																																																				
E	90	120	90	120																																																				
P	116	178	116	178																																																				
H	4,5	6	4,5	6																																																				
T*	20	20	20	20																																																				
M <i>PBDxxxXM</i>		<table border="1" style="width: 100%; border-collapse: collapse;"> <thead> <tr style="background-color: #008080; color: white;"> <th rowspan="2">DIM.</th> <th colspan="4">CASE DIAMETER</th> </tr> <tr style="background-color: #008080; color: white;"> <th>100</th> <th>160</th> <th>100 + contact</th> <th>160 + contact</th> </tr> </thead> <tbody> <tr> <td>A</td> <td>101.5</td> <td>162</td> <td>101,5</td> <td>162</td> </tr> <tr> <td>B</td> <td>97</td> <td>100</td> <td>159</td> <td>163</td> </tr> <tr> <td>E</td> <td>137</td> <td>140</td> <td>199</td> <td>203</td> </tr> <tr> <td>T*</td> <td>20</td> <td>20</td> <td>20</td> <td>20</td> </tr> </tbody> </table> <p style="text-align: center; font-size: small;">* standard connection 1/2"BSP or 1/2"NPT</p>	DIM.	CASE DIAMETER				100	160	100 + contact	160 + contact	A	101.5	162	101,5	162	B	97	100	159	163	E	137	140	199	203	T*	20	20	20	20																									
DIM.	CASE DIAMETER																																																							
	100	160	100 + contact	160 + contact																																																				
A	101.5	162	101,5	162																																																				
B	97	100	159	163																																																				
E	137	140	199	203																																																				
T*	20	20	20	20																																																				
N <i>PBDxxxXN</i>		<table border="1" style="width: 100%; border-collapse: collapse;"> <thead> <tr style="background-color: #008080; color: white;"> <th rowspan="2">DIM.</th> <th colspan="4">CASE DIAMETER</th> </tr> <tr style="background-color: #008080; color: white;"> <th>100</th> <th>160</th> <th>100 + contact</th> <th>160 + contact</th> </tr> </thead> <tbody> <tr> <td>A</td> <td>101.5</td> <td>162</td> <td>101,5</td> <td>162</td> </tr> <tr> <td>B</td> <td>97</td> <td>100</td> <td>159</td> <td>163</td> </tr> <tr> <td>D</td> <td>132</td> <td>196</td> <td>132</td> <td>196</td> </tr> <tr> <td>E</td> <td>137</td> <td>140</td> <td>199</td> <td>203</td> </tr> <tr> <td>F</td> <td>3,5</td> <td>3</td> <td>3,5</td> <td>3</td> </tr> <tr> <td>G</td> <td>13</td> <td>15,5</td> <td>13</td> <td>15,5</td> </tr> <tr> <td>H</td> <td>4,5</td> <td>6</td> <td>4,5</td> <td>6</td> </tr> <tr> <td>P</td> <td>116</td> <td>178</td> <td>116</td> <td>178</td> </tr> <tr> <td>T*</td> <td>20</td> <td>20</td> <td>20</td> <td>20</td> </tr> </tbody> </table> <p style="text-align: center; font-size: small;">* standard connection 1/2"BSP or 1/2"NPT</p>	DIM.	CASE DIAMETER				100	160	100 + contact	160 + contact	A	101.5	162	101,5	162	B	97	100	159	163	D	132	196	132	196	E	137	140	199	203	F	3,5	3	3,5	3	G	13	15,5	13	15,5	H	4,5	6	4,5	6	P	116	178	116	178	T*	20	20	20	20
DIM.	CASE DIAMETER																																																							
	100	160	100 + contact	160 + contact																																																				
A	101.5	162	101,5	162																																																				
B	97	100	159	163																																																				
D	132	196	132	196																																																				
E	137	140	199	203																																																				
F	3,5	3	3,5	3																																																				
G	13	15,5	13	15,5																																																				
H	4,5	6	4,5	6																																																				
P	116	178	116	178																																																				
T*	20	20	20	20																																																				

DIFFERENTIAL PRESSURE GAUGE TYPE PBD

TYPE	DRAWING	DIMENSIONS mm																																																											
O <i>PBDxxxXO</i>		<table border="1" style="width: 100%; border-collapse: collapse; text-align: center;"> <thead> <tr style="background-color: #008080; color: white;"> <th rowspan="2">DIM.</th> <th colspan="4">CASE DIAMETER</th> </tr> <tr style="background-color: #008080; color: white;"> <th>100</th> <th>160</th> <th>100 + contact</th> <th>160 + contact</th> </tr> </thead> <tbody> <tr><td>A</td><td>101.5</td><td>162</td><td>101,5</td><td>162</td></tr> <tr><td>B</td><td>97</td><td>100</td><td>97</td><td>100</td></tr> <tr><td>C</td><td>14</td><td>18</td><td>14</td><td>18</td></tr> <tr><td>D</td><td>132</td><td>196</td><td>132</td><td>196</td></tr> <tr><td>E</td><td>90</td><td>120</td><td>90</td><td>120</td></tr> <tr><td>F</td><td>3,5</td><td>3</td><td>3,5</td><td>3</td></tr> <tr><td>G</td><td>13</td><td>15,5</td><td>13</td><td>15,5</td></tr> <tr><td>H</td><td>4,5</td><td>6</td><td>4,5</td><td>6</td></tr> <tr><td>P</td><td>116</td><td>178</td><td>116</td><td>178</td></tr> <tr><td>T*</td><td>20</td><td>20</td><td>20</td><td>20</td></tr> </tbody> </table> <p style="text-align: center; font-size: small;">* standard connection 1/2"BSP or 1/2"NPT</p>	DIM.	CASE DIAMETER				100	160	100 + contact	160 + contact	A	101.5	162	101,5	162	B	97	100	97	100	C	14	18	14	18	D	132	196	132	196	E	90	120	90	120	F	3,5	3	3,5	3	G	13	15,5	13	15,5	H	4,5	6	4,5	6	P	116	178	116	178	T*	20	20	20	20
DIM.	CASE DIAMETER																																																												
	100	160	100 + contact	160 + contact																																																									
A	101.5	162	101,5	162																																																									
B	97	100	97	100																																																									
C	14	18	14	18																																																									
D	132	196	132	196																																																									
E	90	120	90	120																																																									
F	3,5	3	3,5	3																																																									
G	13	15,5	13	15,5																																																									
H	4,5	6	4,5	6																																																									
P	116	178	116	178																																																									
T*	20	20	20	20																																																									
H <i>PBDxxxXH</i>		<table border="1" style="width: 100%; border-collapse: collapse; text-align: center;"> <thead> <tr style="background-color: #008080; color: white;"> <th rowspan="2">DIM.</th> <th colspan="4">CASE DIAMETER</th> </tr> <tr style="background-color: #008080; color: white;"> <th>100</th> <th>160</th> <th>100 + contact</th> <th>160 + contact</th> </tr> </thead> <tbody> <tr><td>A</td><td>101.5</td><td>162</td><td>101,5</td><td>162</td></tr> <tr><td>B</td><td>97</td><td>100</td><td>159</td><td>163</td></tr> <tr><td>D</td><td>110</td><td>180</td><td>110</td><td>180</td></tr> <tr><td>E</td><td>137</td><td>140</td><td>199</td><td>203</td></tr> <tr><td>F</td><td>2</td><td>2</td><td>2</td><td>2</td></tr> <tr><td>G</td><td>10,5</td><td>9</td><td>10,5</td><td>9</td></tr> <tr><td>T*</td><td>20</td><td>20</td><td>20</td><td>20</td></tr> </tbody> </table> <p style="text-align: center; font-size: small;">* standard connection 1/2"BSP or 1/2"NPT</p>	DIM.	CASE DIAMETER				100	160	100 + contact	160 + contact	A	101.5	162	101,5	162	B	97	100	159	163	D	110	180	110	180	E	137	140	199	203	F	2	2	2	2	G	10,5	9	10,5	9	T*	20	20	20	20															
DIM.	CASE DIAMETER																																																												
	100	160	100 + contact	160 + contact																																																									
A	101.5	162	101,5	162																																																									
B	97	100	159	163																																																									
D	110	180	110	180																																																									
E	137	140	199	203																																																									
F	2	2	2	2																																																									
G	10,5	9	10,5	9																																																									
T*	20	20	20	20																																																									
Y <i>PBDxxxXY</i> pipe size: Ø44 - Ø70 mm		<table border="1" style="width: 100%; border-collapse: collapse; text-align: center;"> <thead> <tr style="background-color: #008080; color: white;"> <th rowspan="2">DIM.</th> <th colspan="4">CASE DIAMETER</th> </tr> <tr style="background-color: #008080; color: white;"> <th>100</th> <th>160</th> <th>100 + contact</th> <th>160 + contact</th> </tr> </thead> <tbody> <tr><td>A</td><td>101.5</td><td>162</td><td>101,5</td><td>162</td></tr> <tr><td>B</td><td>140**</td><td>143**</td><td>202**</td><td>206**</td></tr> <tr><td>C</td><td>57</td><td>61</td><td>57</td><td>61</td></tr> <tr><td>E</td><td>90</td><td>120</td><td>90</td><td>120</td></tr> <tr><td>T*</td><td>20</td><td>20</td><td>20</td><td>20</td></tr> </tbody> </table> <p style="text-align: center; font-size: small;">* standard connection 1/2"BSP or 1/2"NPT ** dimensions for 2" pipe size</p> <p style="text-align: center; font-size: x-small;">bracket for horizontal or vertical pipe mounting</p>	DIM.	CASE DIAMETER				100	160	100 + contact	160 + contact	A	101.5	162	101,5	162	B	140**	143**	202**	206**	C	57	61	57	61	E	90	120	90	120	T*	20	20	20	20																									
DIM.	CASE DIAMETER																																																												
	100	160	100 + contact	160 + contact																																																									
A	101.5	162	101,5	162																																																									
B	140**	143**	202**	206**																																																									
C	57	61	57	61																																																									
E	90	120	90	120																																																									
T*	20	20	20	20																																																									