

Flowmeters

Highly accurate and robust

Display and Processing Unit

Smart and configurable

Welcome to KRAL

About us. With headquarters in Austria, KRAL AG was founded in 1950 and has been an independent family enterprise ever since. We therefore think and invest long-term so that we can remain a stable and reliable business partner for our customers.

KRAL develops and produces screw pumps and flow measurement technology. In addition, we offer customer-specific solutions for systems, from the initial engineering process through to commissioning. And of course our After Sales Service is available to help you after purchase. Our primary business sectors include marine, power generation, oil and gas, mechanical engineering and chemicals. Our customers include local businesses as well as global industrial concerns.

What you can expect from us.

Since the company was founded, KRAL has established itself as a manufacturer of quality products with a fair price/performance ratio. In order to live up to our standard, we continuously invest in our employees, our manufacturing processes and our methodological expertise. A commitment to Total Quality

Management (TQM) is a key component in our company philosophy. Furthermore, we are increasing the levels of automation and digitization in our company.

Our customers claim that we can meet virtually any special need. What's more, KRAL is greatly appreciated for its reliable partnerships and the fact that working together with us is professional and very straightforward. This makes us quite proud. We will continue to strengthen these values in the future. That's why we continuously invest in innovations, both for products as well as methodology and processes.

A key component in our approach to customer-orientation is that you can rely on excellent care from our Customer Center as well as our After Sales Service. This includes both expertise and reaction speed.

We have summarized what you can expect as a KRAL customer in our company vision:

"KRAL is quality, innovation and quick response, anytime and anywhere around the world."

Check out our services and see for yourself. We will be happy to help you.

Dr.-Ing. Harald Raak, MBA
CEO



Table of Contents

An overview of all our products Which device for which need?	Page 5
Methods of signal detection Via the measuring screw Via the pole wheel	Pages 6 – 7
OMG series Universal device for manifold application needs	Pages 8 – 9
OMP series Robust solution for diesel oil and heavy oil	Pages 10 – 11
OME series Compact 3-in-1-device, ideal for light oil applications	Pages 12 – 13
OMH series For high pressures with highest precision	Pages 14 – 15
Pressure loss curves Based on viscosity and device dimensions	Page 16
FAQ A selection of frequently asked questions	Page 17
Smart Solution Compact, cost-saving data detection for multiple consumers	Page 19
BEM display electronics For optimal usage of the functionality range of our measurement devices	Pages 20 – 21
Comprehensive service from one source Quality and efficiency down to the last detail	Pages 22 - 23

FLOWMETERS






An Overview of all our Products

Which device for which need?

KRAL flowmeters

All KRAL flowmeters are distinguished by their industry-leading combination of highest precision and robustness. Because of their comparatively low maintenance costs and long lifespan, the investment in a KRAL flowmeter is a long-term, economically wise choice.

With a broad selection of models and designs, we provide diverse solutions based on customer demands and optimized for the respective application. More information can be found in the detailed descriptions of the individual series in this brochure. We are also happy to provide personal consultation.

 Series	 Guide to the KRAL product range	 Flow rate	 Pressure	 Temperature
OMG	Our universal flowmeters	6.0 to 450,000 l/h 0.1 to 7,500 l/min	Up to 250 bar	-20 to +200 °C
OMP	For fuel consumption measurement	6.0 to 31,500 l/h 0.1 to 525 l/min	40 bar	-20 to +200 °C
OME	Compact 3-in-1-device	6.0 to 31,500 l/h 0.1 to 525 l/min	40 bar	-20 to +125 °C
OMH	For high pressures	6.0 to 180,000 l/h 0.1 to 3.000 l/min	Up to 420 bar	-20 to +200 °C
Customer-specific design	We solve complex measurement tasks, such as extremely high pressures up to 630 bar and low temperature ranges up to -40 °C based on your specific requirements. KRAL flowmeters made of stainless steel are particularly suitable for abrasive media and water.			

KRAL display and processing units

High-precision measurement devices demand equally high-quality electronics for selectively analyzing and calculating the recorded signals. To take full advantage of the functionality range of KRAL measurement devices, we recommend our

BEM series display and processing units for the analysis and display of the data, or our compact Smart Solution, if there is no need or desire for a local display.

Product	Main feature	Application examples
SMART SOLUTION	Easy integration	Easily combinable processing unit for multiple motors and additional consumers
BEM	Analysis and display	Display electronics for single-line and differential measurement

Methods of Signal Detection

Via the measuring screw | Via the pole wheel

In KRAL flowmeters, signal detection is carried out based on two different methods: Either via a measuring screw or a pole wheel. The determination of which of those two methods to use is based on the application range and the resulting demands on signal resolution.

■ Signal detection via the measuring screw

Series: OMP and OME

Application ranges: All conventional applications

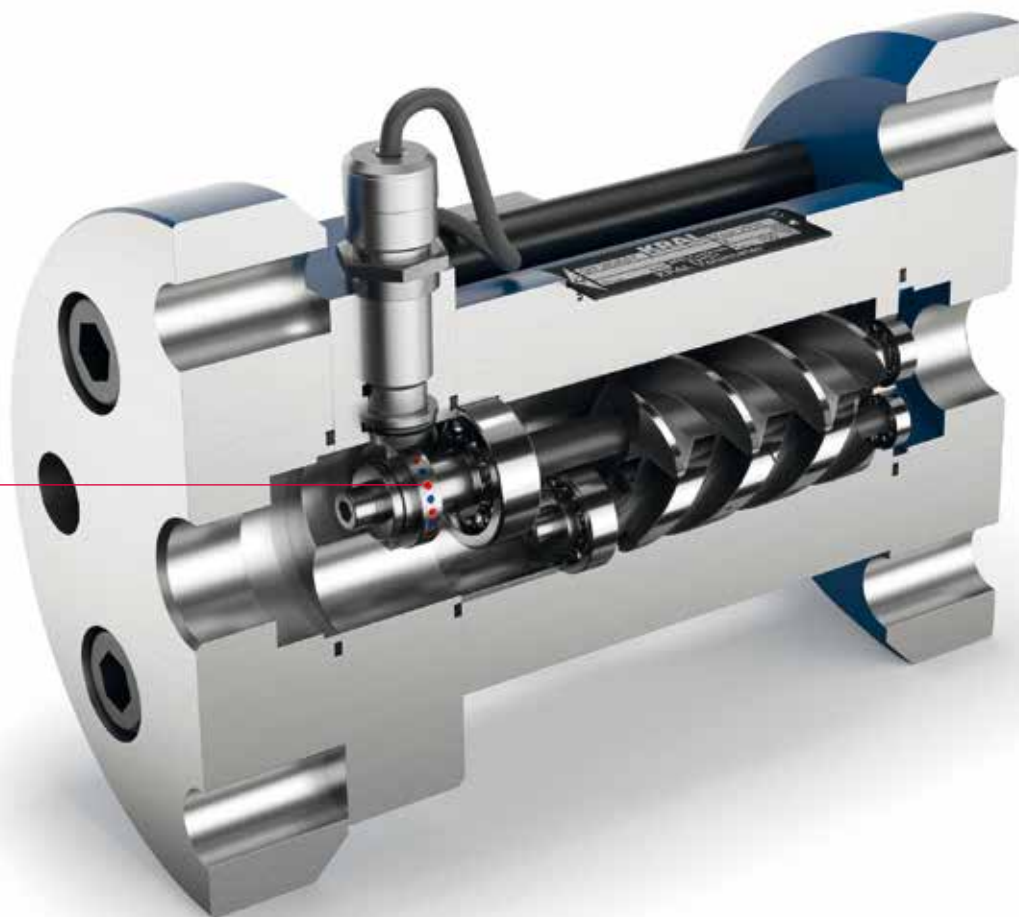


In the case of signal acquisition via the measuring screw, the screw edge is detected by an impulse transmitter. Two edges per screw revolution are detected, which causes two impulses per screw revolution. Because a screw revolution conveys the exact volume of the measurement chamber, two impulses per measurement chamber volume are generated. This type of signal detection is an affordable solution for all conventional consumption and flow measurement applications.

■ Signal detection via the pole wheel

Series: OMG and OMH

Application ranges: If there is a need for high measurement signal resolution



With this method, the impulse transmitter detects the impulses via a pole wheel, which is attached to the measurement screw. Based on specifications and need, pole wheels with differing numbers of poles can be used. This enables a significantly higher signal transfer resolution.

Signal detection via the pole wheel is used when a high signal resolution is needed, e.g., with test and calibration benches or with the use of a flowmeter in the lower flow range.

OMG Series

Universal device for manifold application needs

Robust, precise and universally applicable. Due to their continuous ongoing development, the highly modular OMG series covers a broad range of application ranges. OMG is therefore particularly suitable for application ranges which have a manifold need for flow measurement, such as mechanical engineering, chemical engineering and marine.

The OMG series also combines robustness with highest precision, characteristics for which KRAL flowmeters are well-known

worldwide. Due to the screw pump principle, all OMG series devices are very smooth-running and fast, and can follow quick, pulsation-related changes in flow rates. Stabilization zones are also unnecessary. Due to their extremely robust construction, the OMG series provides optimal protection against external influences, such as system vibrations and mechanical stresses in a harsh, industrial environment.



Mechanical engineering

Determining the position of hydraulic cylinders

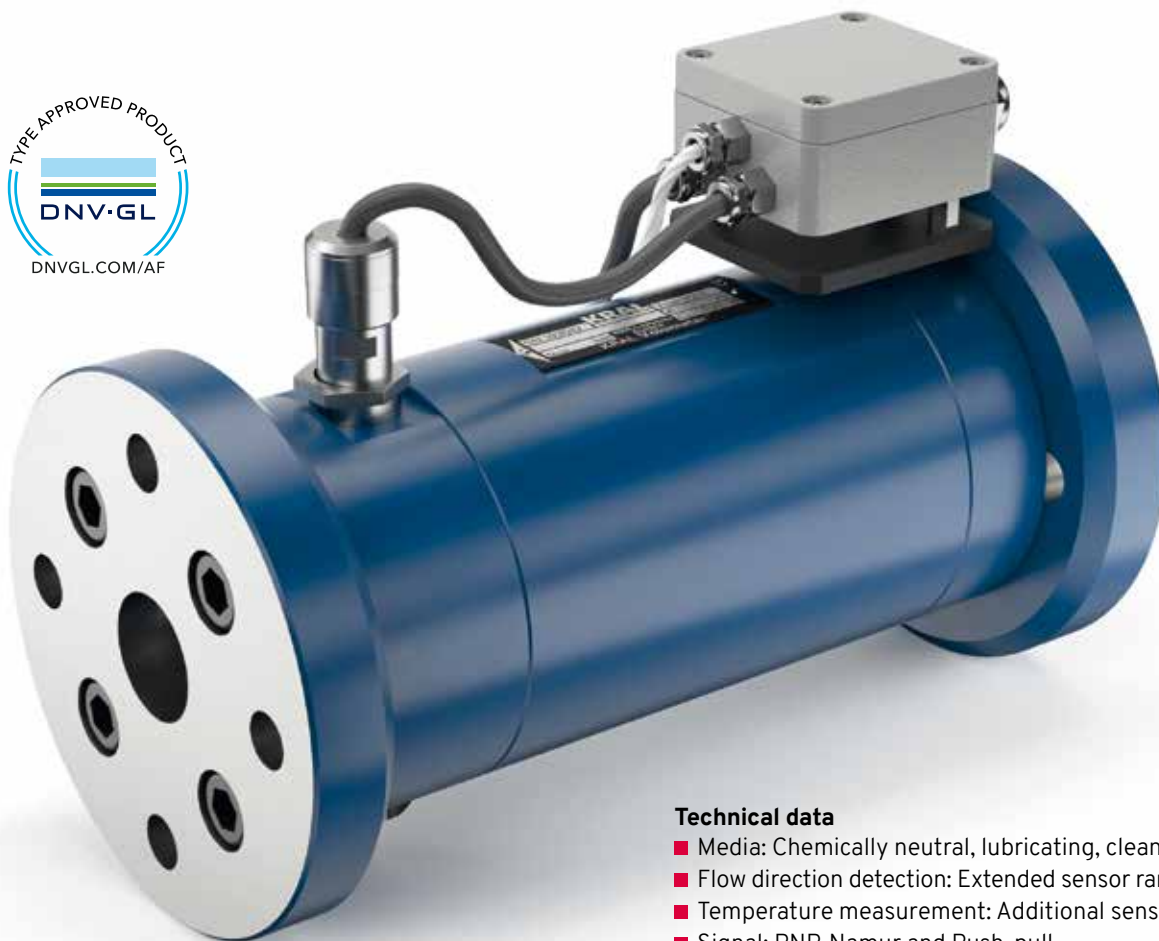
Chemical engineering

Measuring of plastic components

Marine

Fuel consumption measurement

Technical data	OMG-013	OMG-020	OMG-032	OMG-052	OMG-068	OMG-100	OMG-140	
Nominal diameter DN [mm]	15	20	25/32	40	50	100	150	
	DN [inch]	½	¾	1	1½	2	4	
Total length with DIN flange [mm]	145	185	255/265	285	340	460	610	
Weight with DIN flange [kg]	6	6	13/15	21	31	77	190	
Flow rate l/h	Q _{max}	900	2,700	9,000	31,500	63,000	180,000	450,000
	Q_{nom}	600	1,800	6,000	21,000	42,000	120,000	300,000
	Q _{min}	6	18	60	210	420	1,200	3,000
Flow rate l/min	Q _{max}	15	45	150	525	1,050	3,000	7,500
	Q_{nom}	10	30	100	350	700	2,000	5,000
	Q _{min}	0.1	0.3	1.0	3.5	7.0	20	50
Max. pressure [bar]	250	250	250	160	100	40	40	
Temperature [°C]	-20 to +200	-20 to +200	-20 to +200	-20 to +200	-20 to +200	-20 to +200	-20 to +200	
Viscosity [mm ² /s]	1 to 1x10 ⁶	1 to 1x10 ⁶	1 to 1x10 ⁶	1 to 1x10 ⁶	1 to 1x10 ⁶	1 to 1x10 ⁶	1 to 1x10 ⁶	
Precision of measurement value	±0.1 %	±0.1 %	±0.1 %	±0.1 %	±0.1 %	±0.1 %	±0.1 %	
K-factor	K1 [P/I]	1,216	640	234	71.0	39.8	16.8	8.8
	K2 [P/I]	2,432	1,280	468	142	79.6	33.6	17.7
	K3 [P/I]	7,296	2,560	1,014	302	167	57.6	22.1
	K4 [P/I]	7,296	2,560	1,014	302	167	87.6	45.1
Frequency	f1 at Q _{nom} [Hz]	203	320	390	414	464	560	738
	f2 at Q _{nom} [Hz]	405	640	780	828	929	1,120	1,475
	f3 at Q _{nom} [Hz]	1,216	1,280	1,690	1,760	1,949	1,920	1,842
	f4 at Q _{nom} [Hz]	1,216	1,280	1,690	1,762	1,948	2,920	3,758



Your benefits

- Universally applicable
- High precision
- Extremely robust
- Stabilization zones unnecessary
- Very smooth-running and fast
- Low friction and minimal loss of pressure
- Easy installation

Technical data

- Media: Chemically neutral, lubricating, clean, non-abrasive
- Flow direction detection: Extended sensor range optional
- Temperature measurement: Additional sensor optional
- Signal: PNP, Namur and Push-pull
- Signal detection: Via the pole wheel
- Process fittings: DIN, ANSI, thread, further connections upon request

Materials

- Housing: Spheroidal graphite iron
- Screws: Nitrided steel
- Bearings: Steel or hybrid ball bearings
- Sealing: FKM, other seal materials upon request

Sensor	BEG 06* / BEG 06A*	BEG 43D	BEG 44	BEG 45 with BEV 13	BEG 47D** / BEG 47E**	BEG 53A* / BEG 54A*
Application	Ex-range	Standard	High pressures	High pressures, wide temperature range	Ex-range	Flow direction detection
K-factor	K1	K1	K2	K3	K1	K4
Signal	Namur	PNP	PNP	PNP	Namur	Push-pull
Temperature [°C]	-25 to +85	-20 to +100	-40 to +150	-40 to +250	-25 (-40) to +100	-40 to +125
Max. pressure [bar]	350	250	420	420	40	650

* Dependent on nominal diameter ** Dependent on temperature

OMP Series

Robust solution for diesel oil and heavy oil

Affordable device, for maritime applications and more.

The OMP series flowmeters are designed specifically for fuel consumption measurement for marine as well as others, and can be used in booster modules and burners. Another perfect combination of precision and robustness: Due to the precise measurement chamber volume, a broad range of measurements with a precision rate of 0.1 % can be achieved. Pipe bends and T-sections have no influence on the measurement precision.

The extreme robustness is achieved by the spheroidal graphite iron housing, which provides optimal protection for the precisely manufactured, fast measuring screws. Through the use of a high quality state-of-the-art hybrid bearing, the measurement devices also run with low friction and minimal pressure loss. Long lifespan, resistance to pulsations in the media, and efficiency across the entire product life cycle are just a few of the benefits that OMP offers.



Marine

Fuel consumption measurement for motors, generators, booster modules, boiler, burners

Technical data	OMP-013	OMP-020	OMP-032	OMP-052
Nominal diameter DN [mm] DN [inch]	15 ½	20 ¾	25 / 32 1	40 1½
Total length with DIN flange [mm]	115	125	180 / 190	240
Weight with DIN flange [kg]	4	5	11 / 13	19
Flow rate l/h Q _{max} Q _{nom} Q _{min}	900 600 6	2,700 1,800 18	9,000 6,000 60	31,500 21,000 210
Flow rate l/min Q _{max} Q _{nom} Q _{min}	15 10 0.1	45 30 0.3	150 100 1.0	525 350 3.5
Max. pressure [bar]	40	40	40	40
Temperature [°C]	-20 to +200	-20 to +200	-20 to +200	-20 to +200
Viscosity [mm ² /s]	1 to 1x10 ⁶	1 to 1x10 ⁶	1 to 1x10 ⁶	1 to 1x10 ⁶
Precision of measurement value	±0.1 %	±0.1 %	±0.1 %	±0.1 %
K-factor K [P/l]	1,214	321.0	78.0	17.73
Frequency f at Q _{nom} [Hz]	202	161	130	104



Your benefits

- Suitable for MDO, MGO, HFO and further types of oil
- High precision
- Very robust and long lifespan
- Low friction and minimal loss of pressure
- Stabilization zones unnecessary
- Easy installation
- Affordable solution for harsh industrial conditions

Technical data

- Media: Chemically neutral, lubricating, clean, non-abrasive
- Flow direction detection: Expanded sensor range optional
- Temperature measurement: Additional sensor optional
- Signal: PNP or Namur
- Signal detection: Via the screw
- Process fittings: DIN, ANSI, thread, further connections upon request

Materials

- Housing: Spheroidal graphite iron
- Screws: Nitrided steel
- Bearings: Hybrid ball bearings
- Sealing: FKM, other seal materials upon request

Sensor	BEG 45 with BEV 13	BEG 47G	BEG 56A
Application	High pressures, wide temperature range	Ex-range	Standard
K-factor	K1	K1	K1
Signal	PNP	Namur	PNP
Temperature [°C]	-40 to +150	-25 to +100	-40 to +125
Max. pressure [bar]	420	40	40

OME Series

Compact 3-in-1-device, ideal for light oil applications

Much more than just a flowmeter. KRAL measurement-devices from the OME series in all the design sizes always measure in both flow directions. This is enabled by the 3-in-1-sensors, which automatically detect a change in the flow direction. Another additional plus is the integrated Pt100 temperature sensor, which also measures the temperature of the medium. By using aluminum for the housing, OME series measurement devices are offered in a light and affordable design specifically

for measuring the consumption of light oils, for industries such as inland waterway transport or power generation. As in all KRAL flowmeters, measurements across a range of 1:100 are also attainable for the OME series, due to the precise measurement chamber.

OME thus stands for combined precise measurement of flow, flow direction and temperature – and all of this in the form of a compact, light, and affordable device.



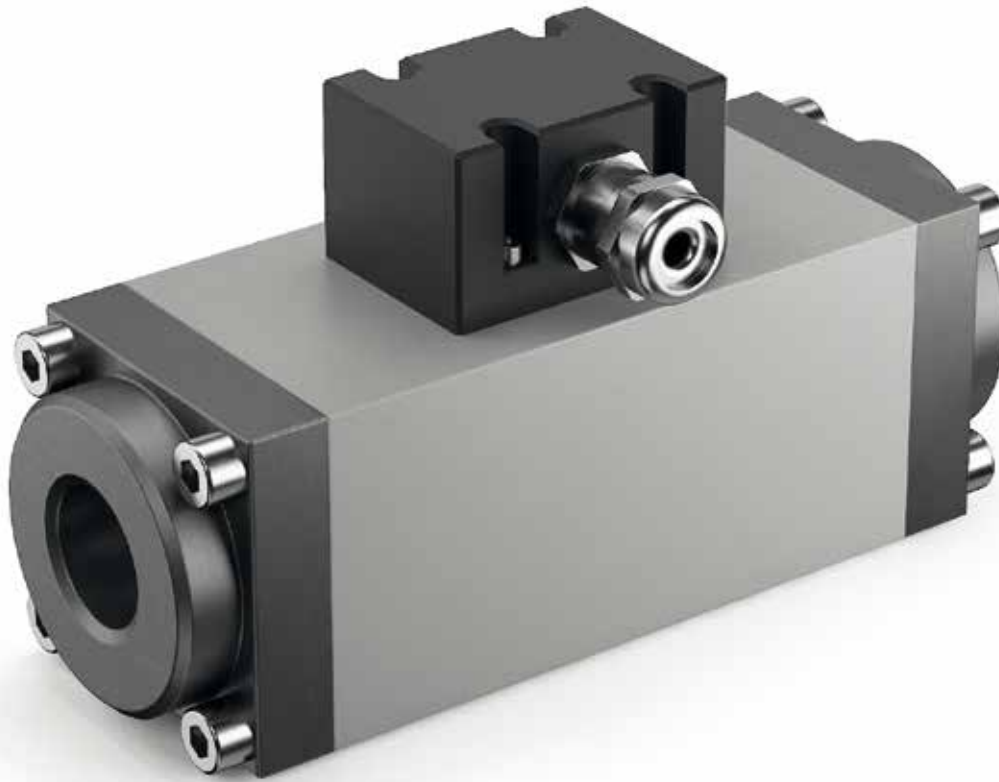
Marine

Fuel consumption measurement in inland waterway transport

Power generation

Fuel consumption measurement in on-shore plants

Technical data	OME-013	OME-020	OME-032	OME-052
Nominal diameter DN [mm] DN [inch]	15 ½	20 ¾	25 / 32 1	40 1½
Total length with DIN flange [mm]	105	135	185	325
Weight with DIN flange [kg]	2	2	4	12
Flow rate l/h Q _{max} Q _{nom} Q _{min}	900 600 6	2,700 1,800 18	9,000 6,000 60	31,500 21,000 210
Flow rate l/min Q _{max} Q _{nom} Q _{min}	15 10 0.1	45 30 0.3	150 100 1.0	525 350 3.5
Max. pressure [bar]	40	40	40	40
Temperature [°C]	-20 to +125	-20 to +125	-20 to +125	-20 to +125
Viscosity [mm ² /s]	1 to 1x10 ⁶	1 to 1x10 ⁶	1 to 1x10 ⁶	1 to 1x10 ⁶
Precision of measurement value	±0.1 %	±0.1 %	±0.1 %	±0.1 %
K-factor K [P/l]	1,214.0	321.0	78.0	17.73
Frequency f at Q _{nom} [Hz]	202	161	130	104



Your benefits

- 3-in-1-solution: Flow measurement, flow direction detection, temperature measurement
- High precision
- Aluminum housing
- Stabilization zones unnecessary
- Low friction and minimal loss of pressure
- Easy installation
- Affordable solution for diesel and light oils

Technical data

- Media: Chemically neutral, lubricating, clean, non-abrasive
- Flow direction detection: Integrated
- Temperature measurement: Integrated
- Signal: Push-pull and Pt100, Namur
- Signal detection: Via the screw
- Process fittings: DIN, ANSI, thread

Materials

- Housing: Aluminum
- Screws: Nitrided steel
- Bearings: Steel bearings
- Sealing: FKM, other seal materials upon request

Sensor	BEG 47C	BEG 60A - 62A*
Application	Ex-range	Standard compact version
K-factor	K1	K1
Signal	Namur	Push-pull
Temperature [°C]	-25 to +100	-40 to +125
Max. pressure [bar]	40	40
* Dependent on nominal value		

OMH Series

For high pressures with highest precision

High measurement precision at high pressures or high flow rates. The KRAL OMH series was especially designed to handle high pressures of up to 420 bar that can occur in the field of mechanical engineering, at test benches and in hydraulic applications.

OMH is also designed to handle high flow rates. Such devices usually require large pipe cross sections and are therefore bulky devices. Due to the compact screw pump measuring element, the OMH series fits into a small housing and offers the

significant advantage of being compact and lightweight in this pressure class, even for high flow rates.

The pressure resistance is provided by a very rigid housing, maintaining the compact dimensions, and at the same time the proven precision of the KRAL flowmeters, even at extreme pressure levels. The measurement devices from the OMH series thus meet the high precision standard that KRAL applies to all of their products, even at extreme pressure levels and flow rates.



Mechanical engineering

Determining the position of hydraulic cylinders

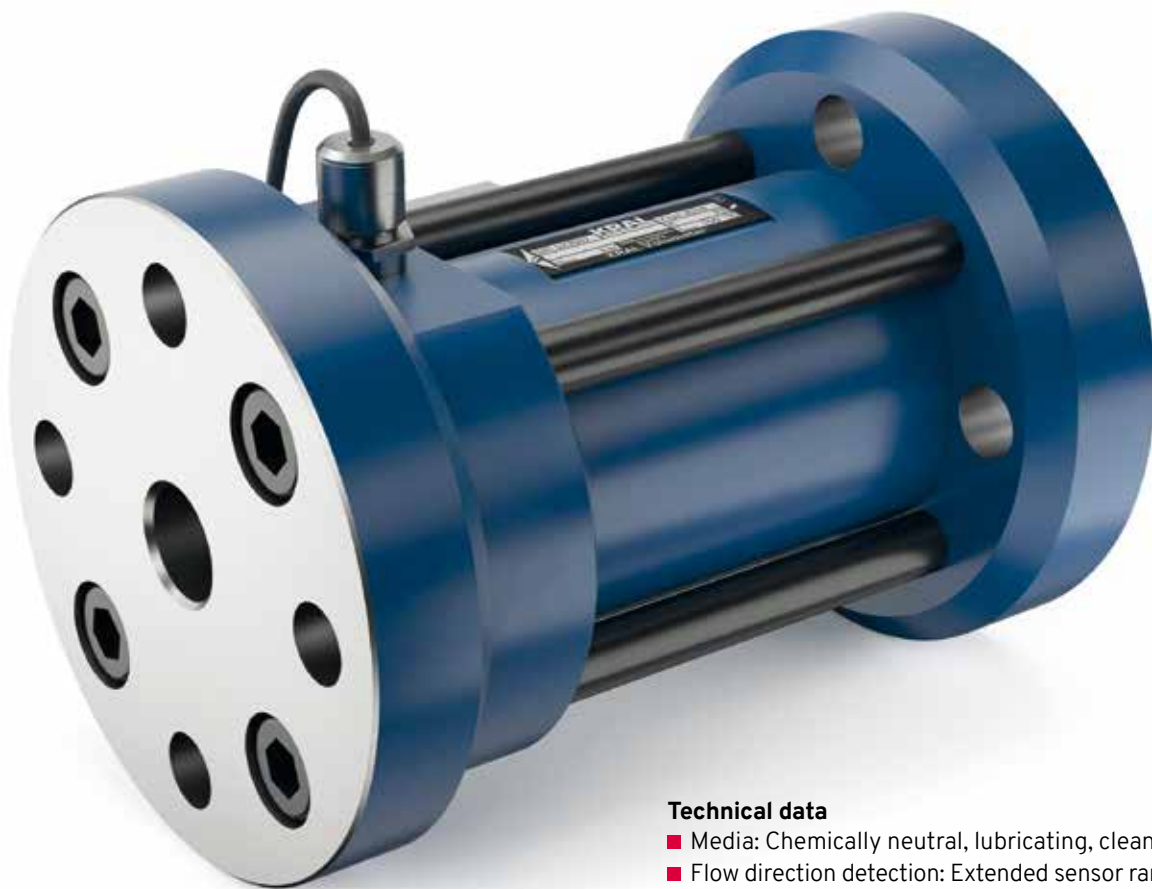
Oil and gas

Consumption measurement for gas turbines

Mechanical engineering

Test benches (pumps, gear units, etc.)

Technical data	OMH-013	OMH-020	OMH-032	OMH-052	OMH-068	OMH-100
Nominal diameter DN [inch]	½	¾	1	1½	2	4
Total length with threaded flange G [mm]	150	185	255	320	385	500
Weight with threaded flange G [kg]	7	12	29	55	81	150
Flow rate l/h	Q _{max} 900 Q _{nom} 600 Q _{min} 6	2,700 1,800 18	9,000 6,000 60	31,500 21,000 210	63,000 42,000 420	180,000 120,000 1,200
Flow rate l/min	Q _{max} 15 Q _{nom} 10 Q _{min} 0.1	45 30 0.3	150 100 1.0	525 350 3.5	1,050 700 7.0	3,000 2,000 20
Max. pressure [bar]	420	420	420	420	420	250
Temperature [°C]	-20 to +200	-20 to +200	-20 to +200	-20 to +200	-20 to +200	-20 to +200
Viscosity [mm ² /s]	1 to 1x10 ⁶	1 to 1x10 ⁶	1 to 1x10 ⁶	1 to 1x10 ⁶	1 to 1x10 ⁶	1 to 1x10 ⁶
Precision of measurement value	±0.1 %	±0.1 %	±0.1 %	±0.1 %	±0.1 %	±0.1 %
K-factor	K2 [P/I] 2,432 K3 [P/I] 7,296 K4 [P/I] 7,296	1,280 2,560 2,560	468 1,014 1,014	142 302 302	79.6 167 167	33.6 57.6 87.6
Frequency	f2 at Q _{nom} [Hz] 405 f3 at Q _{nom} [Hz] 1,216 f4 at Q _{nom} [Hz] 1,216	640 1,280 1,280	780 1,690 1,690	828 1,760 1,762	929 1,949 1,948	1,120 1,920 2,920



Your benefits

- Functions under high pressure up to 420 bar
- High precision
- Very rigid spheroidal graphite iron housing
- Compact size, light weight
- Low friction and minimal loss of pressure
- Stabilization zones unnecessary
- Universally applicable

Technical data

- Media: Chemically neutral, lubricating, clean, non-abrasive
- Flow direction detection: Extended sensor range optional
- Temperature measurement: Additional sensor optional
- Signal: PNP, Namur and Push-pull
- Signal detection: Via the pole wheel
- Process fittings: DIN, thread

Materials

- Housing: Spheroidal graphite iron
- Screws: Nitrided steel
- Bearings: Steel bearings
- Sealing: FKM, other seal materials upon request

Sensor	BEG 06 / BEG 06A*	BEG 44	BEG 45 with BEV 13	BEG 53A / BEG 54A*
Application	Ex-range	High pressures, broad temperature range	High pressures, broad temperature range	Flow direction detection
K-factor	K1	K2	K3	K4
Signal	Namur	PNP	PNP	Push-pull
Temperature [°C]	-25 to +85	-40 to +150	-40 to +250	-40 to +125
Max. pressure [bar]	350	420	420	650

* Dependent on nominal value

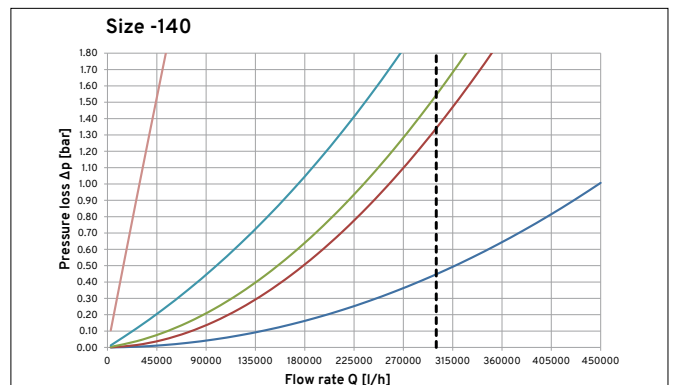
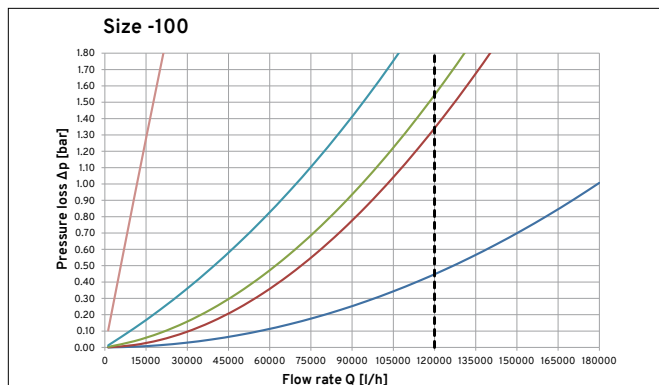
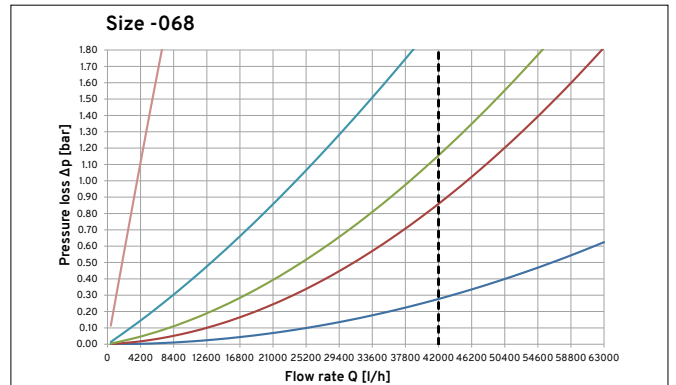
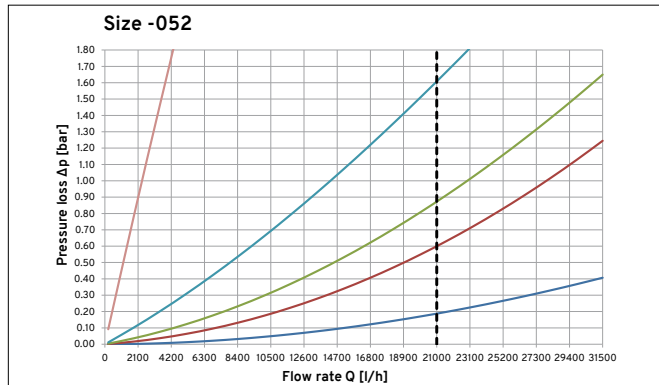
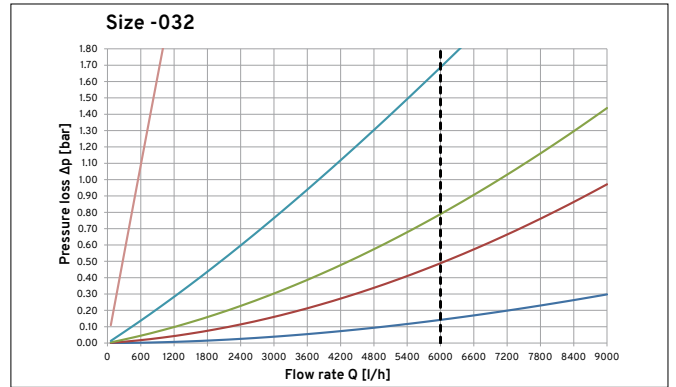
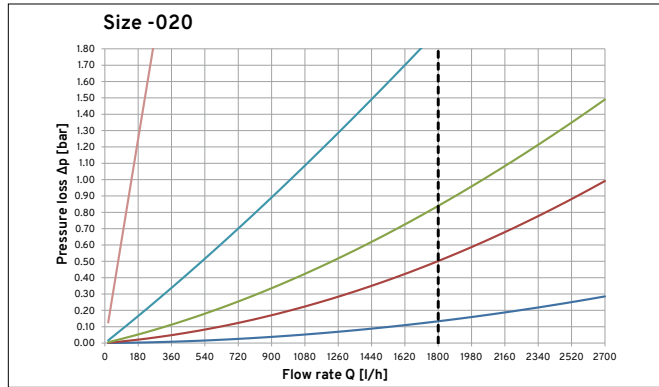
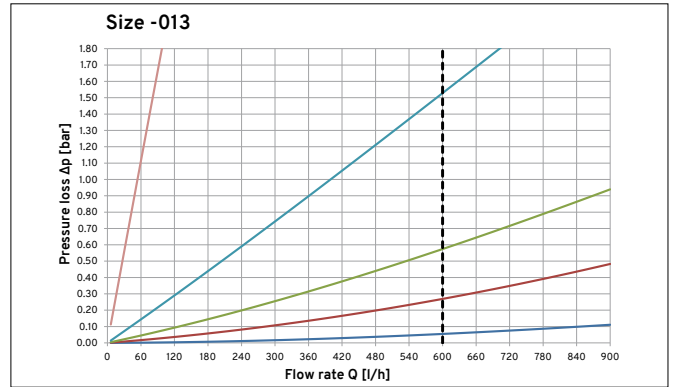
Pressure Loss Curves

Based on viscosity and device dimensions

The pressure loss curves apply to series OMG, OMH, OMP and OME.

Legend

- 1 mm²/s — 100 mm²/s
- 10 mm²/s — 800 mm²/s
- 30 mm²/s • 100 % Flow rate



FAQ

A selection of frequently asked questions

How does the KRAL flowmeter detect the flow direction of the medium?

Pulsations can cause short-term changes in the medium flow direction that can lead to incorrect measurement values in motor consumption measurements if these changes are not detected and taken into consideration. The prerequisite for flow direction detection is a second sensor. This sensor keeps a chronological log of the rotation direction of the measurement screw and is analyzed and compensated for in a KRAL display and processing unit.

A second sensor is standard in the OME series. For OMG and OMP, a sensor can be ordered or easily retrofitted. For the OMH series, a second sensor is optional, based on the size.

Are there recommendations for filter mesh grades?

Filters protect KRAL flowmeters from foreign particles. For device sizes -013 and -020, we recommend 140 mesh, which corresponds to a mesh grade of 0.1 mm. For device sizes -032 and -140, we recommend 45 mesh, which corresponds to a mesh grade of 0.35 mm. Further information can be found in the KRAL operating manuals.

What is the difference between a FKM seal and a EPDM seal?

FKM is the standardized international acronym for fluoroelastomers (ISO, ASTM). The previous ISO designation FPM was replaced. FKM is our seal material of choice because it is very resistant to mineral oils and suitable for temperatures from -40 to +200 °C.

EPDM stands for ethylene propylene diene monomer rubber, a synthetic rubber with high elasticity and chemical resistance that can also be used in tough surroundings such as hot water, steam and cold, and with chemically abrasive media in temperature ranges from -50 to +140 °C. EPDM seals are used when the application and the medium to be measured require them, such as polyurethane or Skydrol®.

What is the difference between single-line and differential measurement?

For a single-line measurement, the flowmeter can be installed before the mixing tank, and the tank refilling quantity can be measured. The flow rate of the measurement device therefore does not need to correspond with the fuel consumption of the consumer in real time (see Fig. 1). However, over a longer period of time, the total consumption measurement is accurate.

For a differential measurement, the flow rate of the feed line and the return line of the consumer are measured directly (see Fig. 2). The consumption formula is therefore flow minus return. Generally, the circulation rate in this type of system is approximately three to four times greater than the consumption of the consumer.

It is important to note that in this case, the precision rate of the system is greatly dependent on the precision of the individual measurement devices. Measurement devices with "only" a 1 % precision rate can quickly lead to a system error of up to 10 % imprecision. In contrast, KRAL flowmeters have a precision rate of $\pm 0.1\%$ of the measurement value.

Do you have further questions? For more information, we are happy to arrange a personal meeting. You can reach us at: **e-mail: info.dmt@kral.at | Tel.: +43/5577/86644-231**

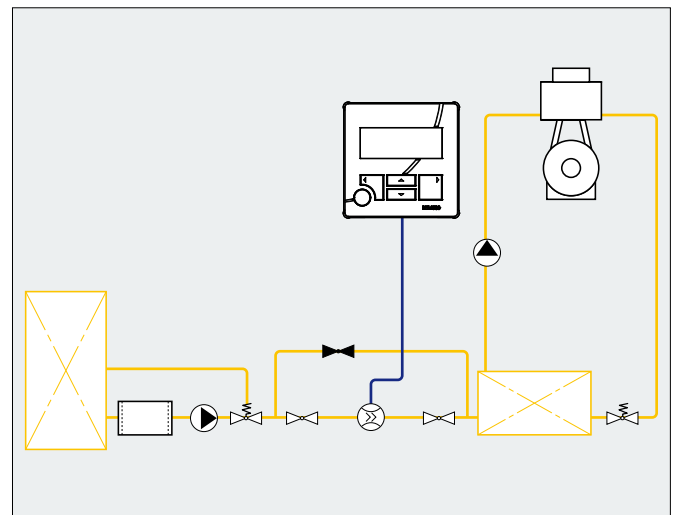


Fig. 1: Principle of single-line measurement

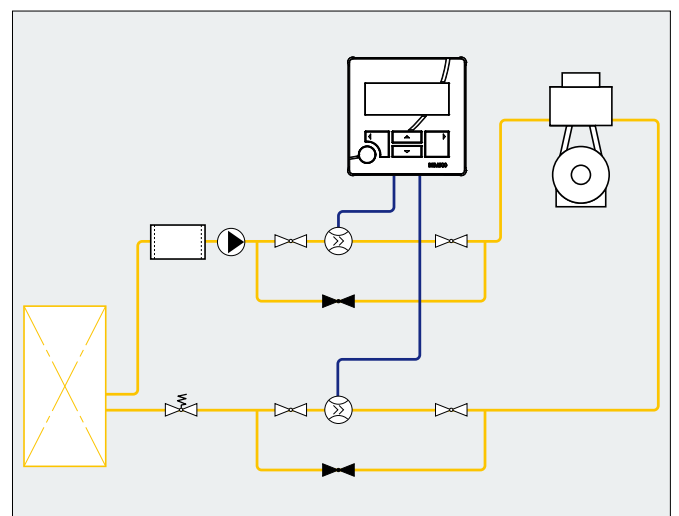


Fig. 2: Principle of differential measurement

ELECTRONIC UNITS

Smart Solution

Compact, cost-saving data detection for multiple users

The Smart Solution for up to 32 measurement devices.

The KRAL Smart Solution is a compact processing unit that processes the signals of multiple KRAL flowmeters via a single cable. Therefore, instead of individual on-site displays, the measurement values collected via a Modbus can be evaluated and displayed in a single monitoring system. In addition, a significant amount of cable and installation is saved, in comparison with conventional measurement data detection.

It is often assumed that the liquid in the pipelines flows gently and evenly. However, in many applications, this is simply not the case. It can even get rather turbulent in the pipelines: Due to pulsations – potentially caused by pumps and motors –

the flow direction can be unpredictably reversed for a brief period. In the same way, the liquid may have differing temperatures at the various measurement points.

KRAL flowmeters deliver very precise measurement values on the flow volume, the flow direction and the temperature to the KRAL Smart Solution. The Smart Solution processes the information and determines the "adjusted" flow measurement value. If the harsh conditions in the pipeline are not considered, a significant measurement error would result.



Smart Solution BEM 100
Compatible with the OME series



Smart Solution BEM 150
Compatible with the
OMG, OMP, and OMH series

Your benefits

- Information from up to 32 measurement devices via a single cable
- Analysis of sensor signals for the detection of the flow direction
- Temperature and pressure pulse compensation
- Direct determination of the mass value
- Consideration of harsh operating conditions
- Cost-effective and less potential error sources, due to a single cable
- Easy installation

Technical data	BEM 100	BEM 150
Compatible with KRAL flowmeter	OME	OMG, OMP, OMH
Voltage supply	9 to 36 VDC	9 to 36 VDC
Operating temperature	20 to 85 °C	20 to 85 °C
Protection class	IP67	IP67
Interfaces	RS 485	RS 485
Protocol	Modbus RTU	Modbus RTU

BEM Display Electronics

For optimal usage of the functionality range of our measurement devices

Designed for KRAL flowmeters. KRAL flowmeter users can often not reap the full benefits of their devices with conventional universal displays. Key functions are missing for specific applications. KRAL electronics fully support the performance capacity of the KRAL measurement devices. Both the hardware and the software of the BEM series is perfectly designed for the KRAL measurement devices, guaranteeing their trouble-free connection and integration. By the use of top quality electronic components and analysis algorithms, the precision of the flow measurement values in the display and at the signal outputs is maintained.

Error-free operation, informative monitoring. KRAL electronics continuously shows the flow measurements with units. The display is informative and clearly legible. There is a selection of up to 4 languages. Units, calibration factors, and density tables are configured by KRAL based on customer information. Changes can be made at the computer from the intuitive menu. Contrast and brightness can also be adjusted.

Self-diagnostics and monitoring. The flow and temperature ranges of the flowmeters are saved in the electronics; every incidence of exceedance is displayed immediately. A bypass relay can be switched if the threshold value of the flow rate is exceeded. The function of the temperature sensors is also monitored. Based on the precise data on temperature, flow volume, flow direction and consumption,



BEM 200

Basic single-line measurement with a sensor on the flowmeter

Your benefits

- Getting the full benefit of the performance capacity of KRAL flowmeters
- Easy connection and integration
- Top-quality electronic components and analysis algorithms
- Informative, clearly legible display
- A selection of up to 4 languages
- Configuration based on customer information
- Modifications can be easily carried out
- Optimal status monitoring of the system



BEM 300

Single-line measurement with flow direction detection



BEM 500

Differential measurement with flow and backflow measurement to determine consumption

Technical data	BEM 200	BEM 300	BEM 500
Power supply	10 - 30 VDC	24 VDC ($\pm 20\%$)	24 VDC ($\pm 20\%$)
Environment			
Operating temperature	-20 to +70 °C	-20 to +70 °C	-20 to +70 °C
Storage temperature	-20 to +80 °C	-20 to +80 °C	-20 to +80 °C
Housing			
Dimensions	93 x 93 x 60 mm	116 x 116 x 118 mm	116 x 116 x 118 mm
Protection class	IP65	IP65	IP65
Material	Plastic	Plastic	Plastic
Weight	0.25 kg	1.0 kg	1.0 kg
Assembly	Direct assembly on the measurement device, wall-mounted	Wall-mounted, control cabinet installation	Wall-mounted, control cabinet installation
Display	LCD, 2 lines	LCD, 4 lines	LCD, 4 lines
Signal inputs			
OMG	BEG 43D, BEG 44, BEG 45, BEG 47D/E, BEG 53A/54A	BEG 43D, BEG 44, BEG 45, BEG 53A/54A, BEG 06(A), BEG 47D/E	BEG 43D, BEG 44, BEG 45, BEG 53A/54A, BEG 06(A), BEG 47D/E
OMP	BEG 56A, BEG 64, BEG 47G	BEG 56A, BEG 64, BEG 47G	BEG 56A, BEG 64, BEG 47G
OME	BEG 60A, BEG 61A, BEG 62A	BEG 60A, BEG 61A, BEG 62A, BEG 47C	BEG 60A, BEG 61A, BEG 62A, BEG 47C
OMH	BEG 44, BEG 45, BEG 53/54	BEG 44, BEG 45, BEG 53/54, BEG 06	BEG 44, BEG 45, BEG 53/54, BEG 06
Temperature sensor	-	-	Pt100
Signal outputs			
Impulse output	1 x (max. 100 Hz)	1 x (max. 250 Hz)	2 x (max. 250 Hz)
Relay output	-	-	1 x (250 VAC / 30 VDC)
Analogue output	1 x (4 to 20 mA)	1 x (4 to 20 mA/0 to 10 V)	2 x (4 to 20 mA/0 to 10 V)
Bus output	-	Modbus RTU (RS 232/485), slave	Modbus RTU (RS 232/485), slave
Description			
Number of sensors	1 sensor	2 sensors	2 measurement devices (with 2 sensors each)
Display	Display of flow rate, Total, accum. Total	Display of flow rate, Total, accum. Total	Display of flow rate, Total, accum. Total
Additional functions		Flow direction detection and backflow compensation	Flow direction detection and backflow compensation, temperature compensation, mass calculation with manual density (as per DIN 51757), linearization of the calibration curve

Comprehensive Service from one Source

Quality and efficiency down to the last detail



Installation and start of operation

Upon request, we will assist you with the installation and start of operation of your KRAL products. The proper installation and an optimally utilized measurement system are the basis for trouble-free operation. Our technicians not only know our products, they also know the effects that your system will have on the measurement system, and can configure it optimally. As a customer, you benefit from our vast experience because we have put a large number KRAL pumps, pumping stations and flowmeters into operation ourselves at our customers.

Training courses

KRAL training courses provide well-founded knowledge about the assembly, start of operation and maintenance of your KRAL products. You will receive expert information from the manufacturer about how to properly install and start up your KRAL product, and are familiarized with applications and use limitations. By viewing actual damage photographs, you learn how to recognize errors and to eliminate them. Together with you, we will carry out a detailed maintenance procedure and show you how you can reduce the operating costs of your device. Training courses can be carried out in Lustenau or at your business premises upon request.



Maintenance and repair

A shutdown can generate high costs. Increase operating safety and minimize the life cycle costs of your KRAL product by using the preventative maintenance services of our competent service team. In the event of a malfunction, our service technicians respond quickly and are at your place of business in the shortest time possible. In the case of a repair shipment, you will receive verification of arrival immediately upon receipt of the delivery. The repair process will begin after you have approved our cost estimate. You will receive a detailed technical report for every repair, with informative images.

Maintenance procedures and repairs are carried out in Lustenau or at your place of business upon request. Original KRAL components guarantee the highest quality standards.

Spare parts

KRAL flowmeters meet the highest quality standards. To maintain this high standard, only original KRAL components should be used as spare parts. You ensure that the high quality level will be maintained, and guarantee the trouble-free operation and the long lifespan of your flowmeter.



Calibration and post-calibration

Every KRAL flowmeter is calibrated on our own test bench. Basically, two standard calibration procedures are possible: Either based on KRAL factory calibration or based on the international standard calibration as per ISO/IEC 17025. In order to maintain high measurement precision, KRAL recommends the first post-calibration after one year of operation. However, which exact time interval for post-calibration is actually needed is heavily dependent on the operating conditions of the device. Your KRAL service team will be happy to provide transparent consultation based on your specific need.





Headquarters

KRAL AG

Bildgasse 40, Industrie Nord
6890 Lustenau, Austria
e-mail: kral@kral.at
Tel.: +43/5577/86644-0

Subsidiaries

KRAL Deutschland GmbH

Competence Center Stadthagen

KRAL Polska Sp. z o.o.

40-668 Katowice

Sister company

KRAL-USA, Inc.

901A Matthews-Mint Hill Road
28105 Matthews, NC
e-mail: sales@kral-usa.com
Tel.: +1/704/8146164