

Initial-Pressure-Controller, springloaded

for steam, gases and liquids

Typ 80

Standard version:

Material: Valve-body / media contact surfaces

Typ 80.2: BG 0 - II 1.4301, 1.4571 / 1.4571
BG III - IIIB 1.4571 / 1.4571

Connections:

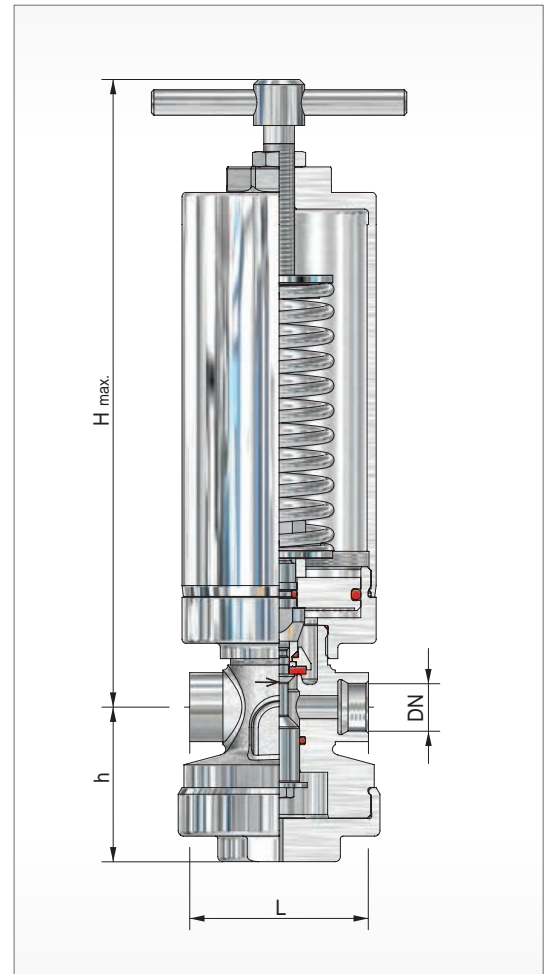
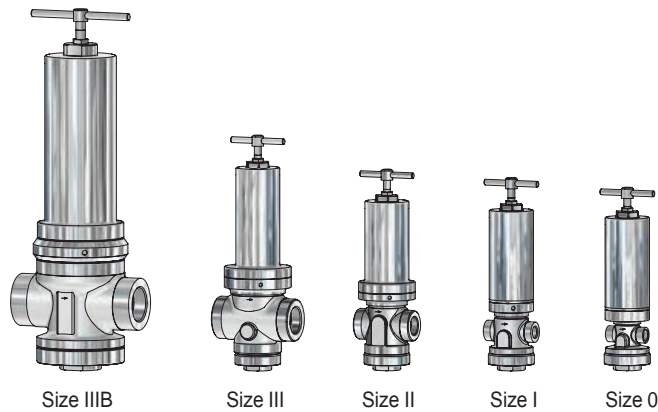
Screwed connection: DIN ISO 228 / ASME B1.20.1

Sealings:

FPM, EPDM
 PTFE, EPDM (steam up to 150°C)
 PTFE, AF100, EPDM (steam up to 200°C)

Approvals:

Pressure Equipment Directive: 97/23/EG
 Declaration of Conformity



Size	Inlet			Outlet		Dimensions				Kvs value
	PN			DN	G, NPT	Height 'H' max.				
	DN	G, NPT	Initial pressure range P1 min. [bar(g)] max.			Toggle spindle [mm]	Cap [mm]	L [mm]	h [mm]	[m³/h]
0	8	1/4	0,35 / 104,00	8	1/4	275	265	70	59	1,2
	10	3/8		70	2,0					
	15	1/2		70	2,2					
I	15	1/2	0,35 / 59,00	15	1/2	305	270	90	67	3,0
	20	3/4		90	3,2					
	25*	1*		135	3,5					
II	25	1	0,25 / 25,00	25	1	315	275	105	75	6,3
	32	1 1/4		105	6,5					
	40*	1 1/2*		155	6,7					
III	40	1 1/2	0,25 / 17,00	40	1 1/2	360	325	145	90	12,5
	50	2		145	13,0					
	65*	2 1/2*		210	13,5					
IIIB	50	2	0,25 / 12,00	50	2	570	535	220	112	27,5
	65	2 1/2		220	28,0					

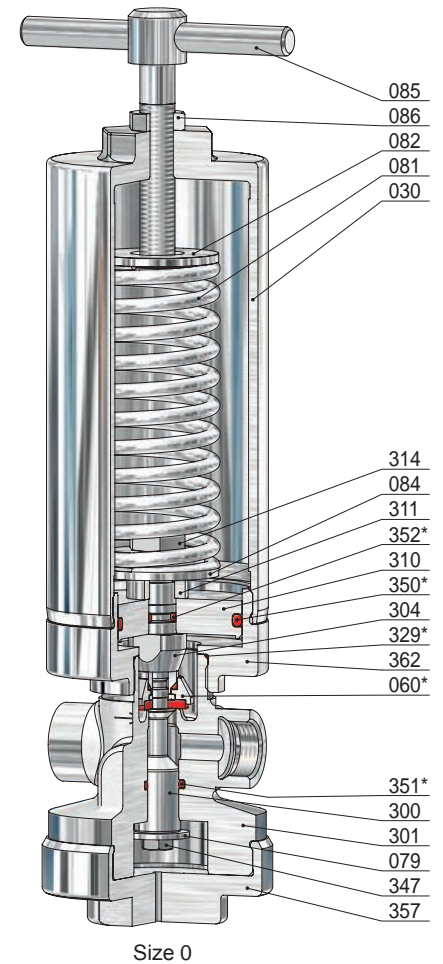
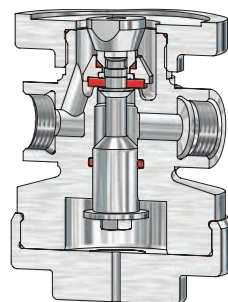
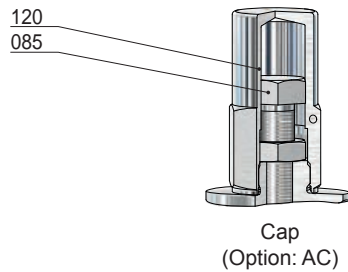
other design on request

* special size

Initial-Pressure-Controller, springloaded

for steam, gases and liquids

Typ 80



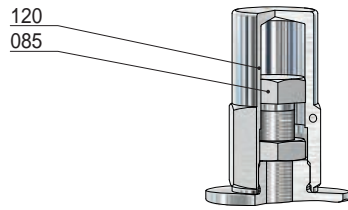
Item	Piece	Description	Item	Piece	Description
301	1	valve body	120	1	cap
030	1	spring bonnet	300	1	piston
060 *	1	disc, complete	304	1	inlet pressure piston
560	1	disc	310	1	piston plate
061	1	pressure piece	311	1	distance bush
062	1	soft sealing	314	1	lock nut
071	1	o-ring	329 *	1	o-ring
072	1	locking ring	347	1	screw
073	1	o-ring <i>(only for thermoplastics soft sealing)</i>	350 *	1	o-ring
079	1	lift stopper	351 *	1	o-ring
081	1	spring	352 *	1	o-ring
082	1	springplate, upper	357	1	bottom plug
084	1	springplate, lower	362	1	adapter
085	1	adjusting screw			
086	1	lock nut			

* expendable parts

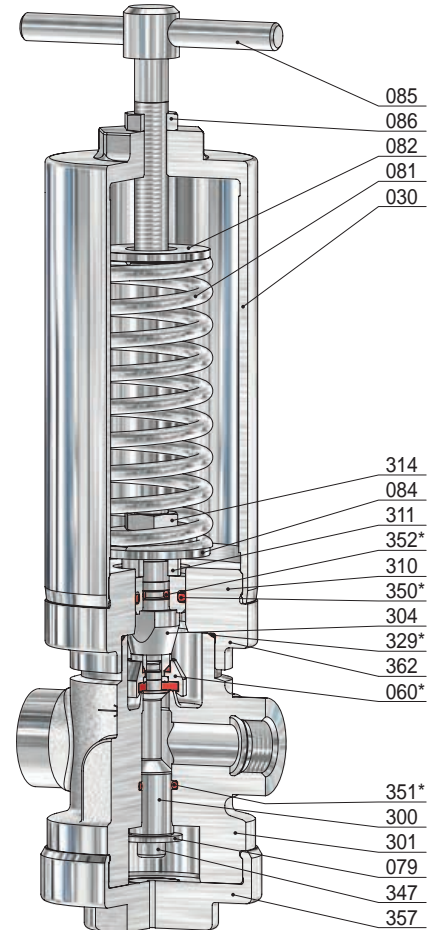
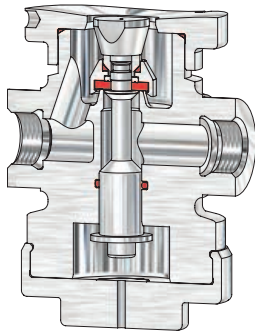
Initial-Pressure-Controller, springloaded

for steam, gases and liquids

Typ 80



Cap
(Option: AC)



Size I

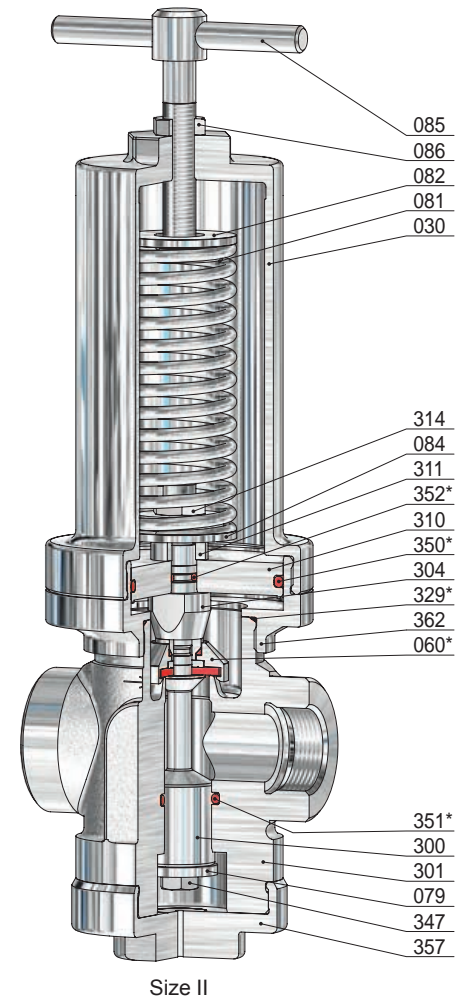
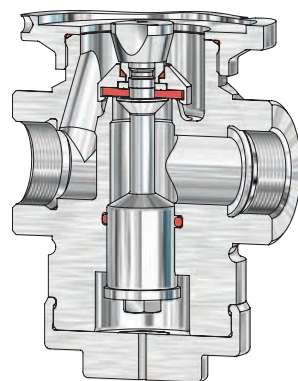
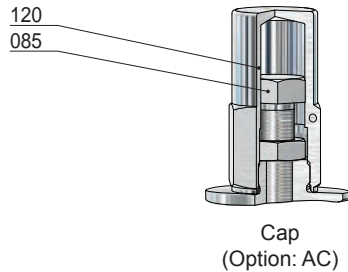
Item	Piece	Description	Item	Piece	Description
301	1	valve body	120	1	cap
030	1	spring bonnet	300	1	piston
060 *	1	disc, complete	304	1	inlet pressure piston
560	1	disc	310	1	piston plate
061	1	pressure piece	311	1	distance bush
062	1	soft sealing	314	1	lock nut
071	1	o-ring	329 *	1	o-ring
072	1	locking ring	347	1	screw
073	1	o-ring <i>(only for thermoplastics soft sealing)</i>	350 *	1	o-ring
079	1	lift stopper	351 *	1	o-ring
081	1	spring	352 *	1	o-ring
082	1	springplate, upper	357	1	bottom plug
084	1	springplate, lower	362	1	adapter
085	1	adjusting screw			
086	1	lock nut			

* expendable parts

Initial-Pressure-Controller, springloaded

for steam, gases and liquids

Typ 80



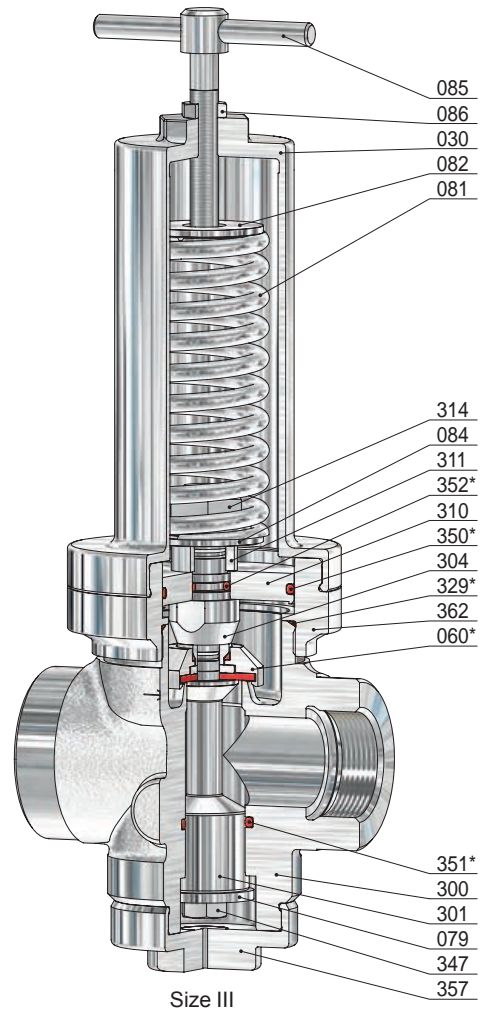
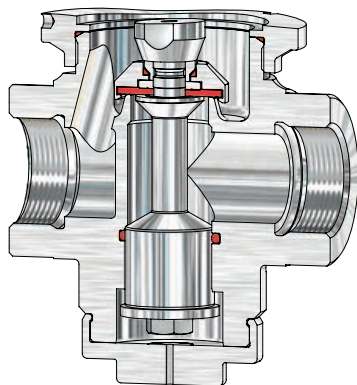
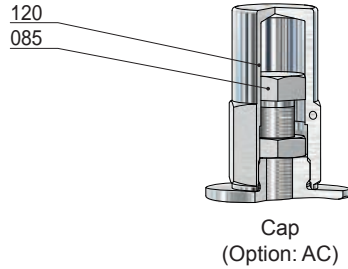
Item	Piece	Description	Item	Piece	Description
301	1	valve body	120	1	cap
030	1	spring bonnet	300	1	piston
060 *	1	disc, complete	304	1	inlet pressure piston
560	1	disc	310	1	piston plate
061	1	pressure piece	311	1	distance bush
062	1	soft sealing	314	1	lock nut
071	1	o-ring	329 *	1	o-ring
072	1	locking ring	347	1	screw
073	1	o-ring (only for thermoplastics soft sealing)	350 *	1	o-ring
079	1	lift stopper	351 *	1	o-ring
081	1	spring	352 *	1	o-ring
082	1	springplate, upper	357	1	bottom plug
084	1	springplate, lower	362	1	adapter
085	1	adjusting screw			
086	1	lock nut			

* expendable parts

Initial-Pressure-Controller, springloaded

for steam, gases and liquids

Typ 80



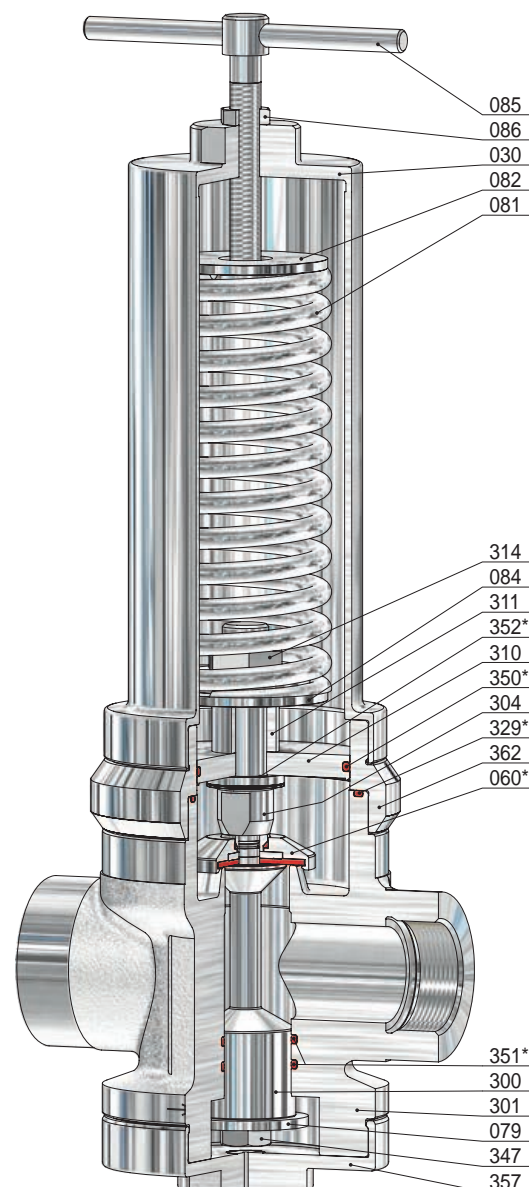
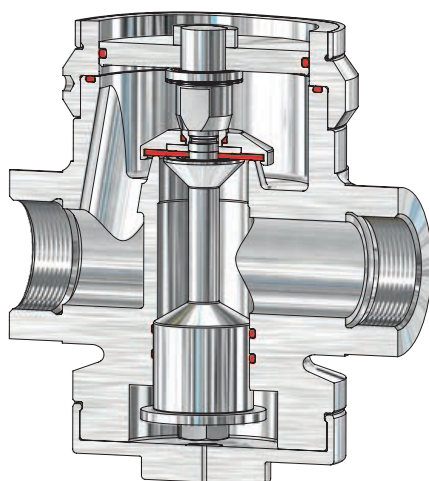
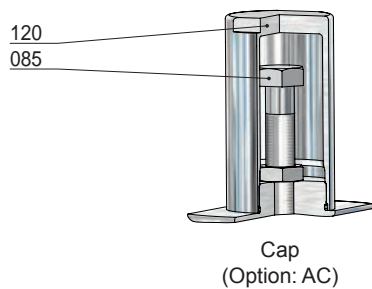
Item	Piece	Description	Item	Piece	Description
301	1	valve body	120	1	cap
030	1	spring bonnet	300	1	piston
060 *	1	disc, complete	304	1	inlet pressure piston
560	1	disc	310	1	piston plate
061	1	pressure piece	311	1	distance bush
062	1	soft sealing	314	1	lock nut
071	1	o-ring	329 *	1	o-ring
072	1	locking ring	347	1	screw
073	1	o-ring (only for thermoplastics soft sealing)	350 *	1	o-ring
079	1	lift stopper	351 *	1	o-ring
081	1	spring	352 *	1	o-ring
082	1	springplate, upper	357	1	bottom plug
084	1	springplate, lower	362	1	adapter
085	1	adjusting screw			
086	1	lock nut			

* expendable parts

Initial-Pressure-Controller, springloaded

for steam, gases and liquids

Typ 80



Size IIIB

Item	Piece	Description	Item	Piece	Description
301	1	valve body	120	1	cap
030	1	spring bonnet	300	1	piston
060 *	1	disc, complete	304	1	inlet pressure piston
560	1	disc	310	1	piston plate
061	1	pressure piece	311	1	distance bush
062	1	soft sealing	314	1	lock nut
071	1	o-ring	329 *	1	o-ring
072	1	locking ring	347	1	screw
073	1	o-ring <i>(only for thermoplastics soft sealing)</i>	350 *	1	o-ring
079	1	lift stopper	351 *	2	o-ring
081	1	spring	352 *	1	o-ring
082	1	springplate, upper	357	1	bottom plug
084	1	springplate, lower	362	1	adapter
085	1	adjusting screw			
086	1	lock nut			

* expendable parts