

# Pressure-Reducing-Valve, springloaded

for steam, gases and liquids

## Typ 70

### Standard version:

**Material:** Valve-body / media contact surfaces

**Typ 70.2: BG 00** 1.4571 / 1.4571

**BG 0-II** 1.4301, 1.4571 / 1.4571

**BG III-III B** 1.4571 / 1.4571

### Connections:

Screwed connection: DIN ISO 228 / ASME B1.20.1

### Sealings:

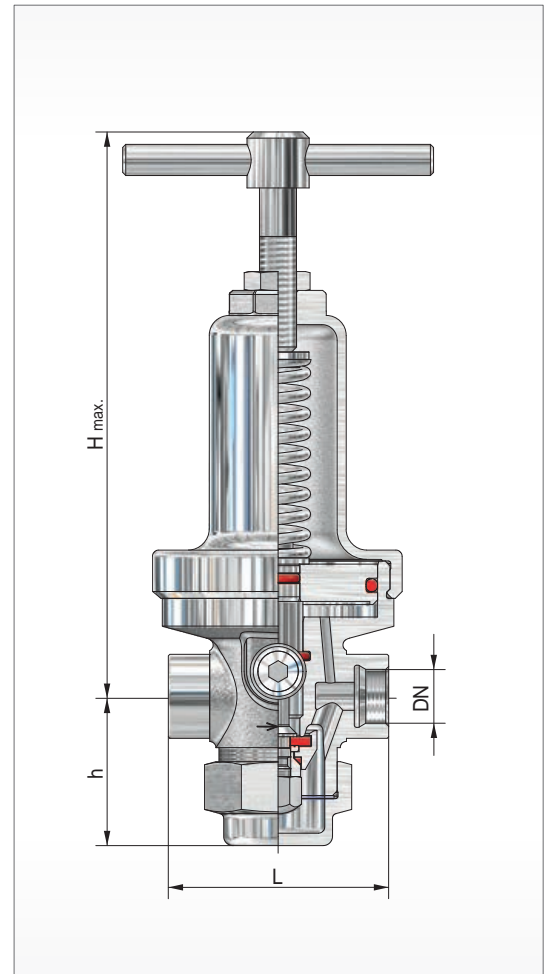
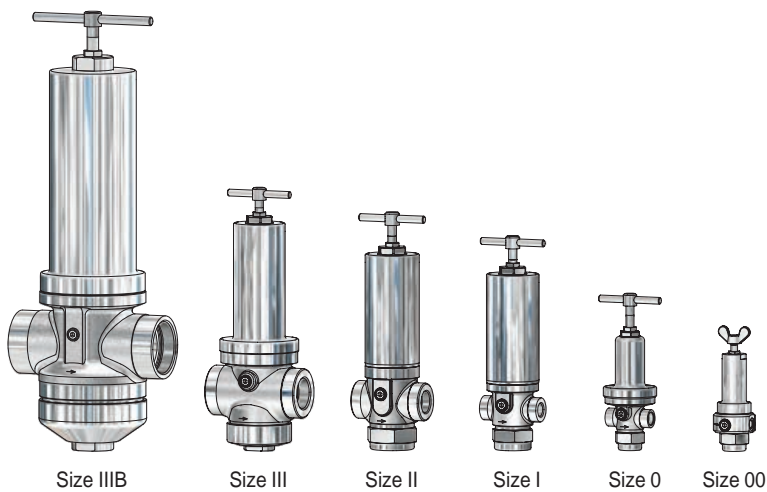
FPM, EPDM

PTFE, EPDM (steam up to 150°C)

PTFE, AF100, EPDM (steam up to 200°C)

### Approvals:

**Pressure Equipment Directive:** 97/23/EG  
Declaration of Conformity



Size	Inlet			Outlet			Dimensions				Kvs value [m³/h]	
	DN	G, NPT	Inlet pressure range P1 [bar(g)] max.	DN	G, NPT	Reduced pressure range P2 min. [bar(g)] max.	Height 'H' max.					
							Toggle spindle [mm]	Cap [mm]	L [mm]		h [mm]	
00 <sup>1)</sup>	6	1/8	16	6	1/8	1,00 / 7,00	160	-	58		36	0,63
	8	1/4		8	1/4							
0	8	1/4	63	8	1/4	0,35 / 17,00	205	180	70		48	1,2
	10	3/8		10	3/8							2,0
	15	1/2		15	1/2							2,2
I	15	1/2	100	15	1/2	0,35 / 73,00	275	255	90		58	3,0
	20	3/4		20	3/4							3,2
	25*	1*		25*	1*							3,5
II	25	1	63	25	1	0,25 / 23,00	305	265	105		68	6,3
	32	1 1/4		32	1 1/4							6,5
	40*	1 1/2*		40*	1 1/2*							6,7
III	40	1 1/2	63	40	1 1/2	0,25 / 17,00	325	305	145		85	12,5
	50	2		50	2							13,0
	65*	2 1/2*		65*	2 1/2*							13,5
IIIB	50	2	40	50	2	0,25 / 12,00	545	495	220		145	27,5
	65	2 1/2		65	2 1/2							28,0

other design on request

\* special size

1) not for water steam applicable

# Pressure-Reducing-Valve, springloaded

for steam, gases and liquids

## Typ 70

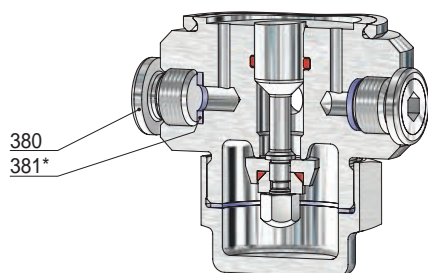
### Spring ranges for reduced pressure P<sub>2</sub>

Piston plate [mm]	Ø 119	Ø 99	Ø 84	Ø 64	Ø 48	Ø 38	Ø 27
Size	Spring no.	[bar(g)]					
00	635					1,00 - 2,00	
	637					2,10 - 3,00	
	640					3,10 - 4,00	
	641					4,10 - 5,00	
	643					5,10 - 6,00	
	645					6,10 - 7,00	
0	98			0,35 - 0,50			
	99			0,60 - 0,80			
	100			0,90 - 1,20			
	101			1,30 - 1,80	2,40 - 3,00	4,10 - 5,00	6,60 - 10,00
	102			1,90 - 2,30	3,10 - 4,00	5,10 - 6,50	10,10 - 12,00
	103						12,10 - 17,00
I	303			0,35 - 0,69			
	304			0,70 - 1,20			
	305			1,30 - 2,00			
	306			2,10 - 3,00	4,60 - 5,00	8,10 - 8,50	12,10 - 17,00
	307			3,10 - 4,50	5,10 - 8,00	8,60 - 12,00	17,10 - 25,00
	308						25,10 - 30,00
	309						30,10 - 38,00
	310						38,10 - 53,00
	311						53,10 - 73,00
II	303			0,25 - 0,35			
	304			0,36 - 0,65			
	305			0,66 - 1,00			
	306			1,10 - 1,50	2,10 - 2,80	4,10 - 5,00	7,10 - 8,00
	307			1,60 - 2,00	2,90 - 4,00	5,10 - 7,00	8,10 - 11,00
	308						11,10 - 14,00
	309						14,10 - 17,00
	310						17,10 - 23,00
III	323		0,25 - 0,35				
	324		0,36 - 0,60				
	325		0,61 - 1,00	1,10 - 1,40			
	326			1,50 - 2,00	2,60 - 3,50	4,10 - 6,50	
	327			2,10 - 2,50	3,60 - 4,00	6,60 - 7,50	
	328					7,60 - 8,50	
	329					8,60 - 12,00	
	330					12,10 - 17,00	
IIIB	353	0,25 - 0,45					
	354	0,46 - 0,75					
	355	0,76 - 1,00					
	356	1,10 - 1,60	1,70 - 2,40				
	357		2,50 - 4,00	4,10 - 5,50			
	358			5,60 - 7,50			
	359			7,60 - 9,00			
	360			9,10 - 12,00			

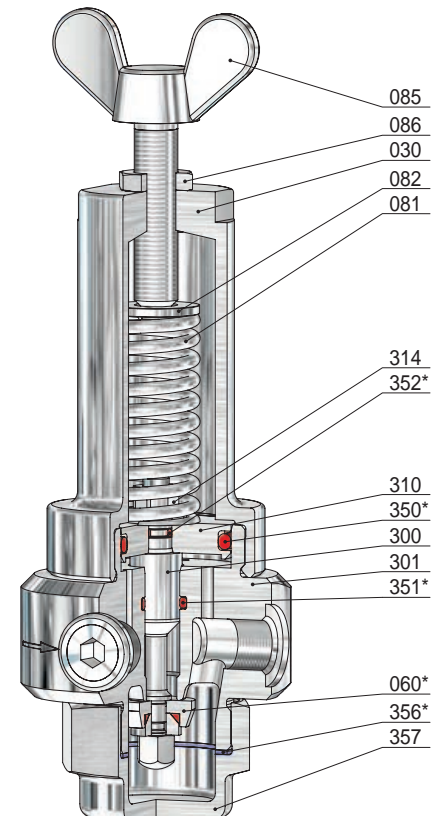
# Pressure-Reducing-Valve, springloaded

for gases and liquids

## Typ 70



Manometer connection G $\frac{1}{4}$



Size 00

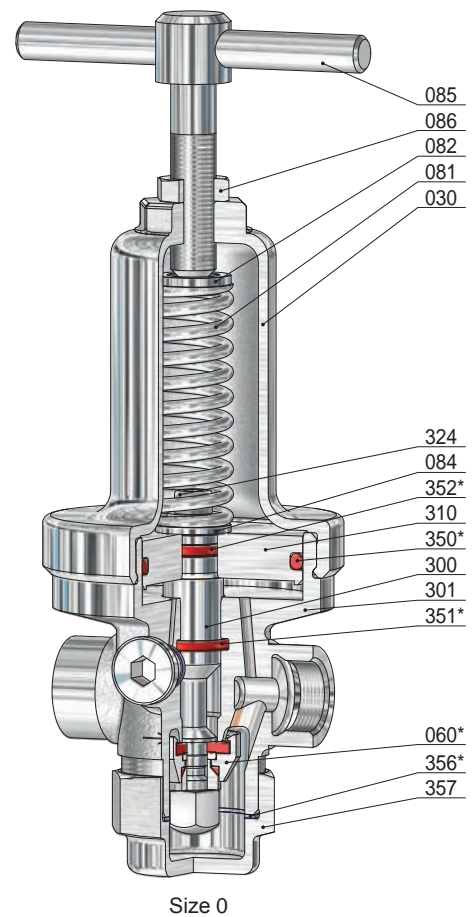
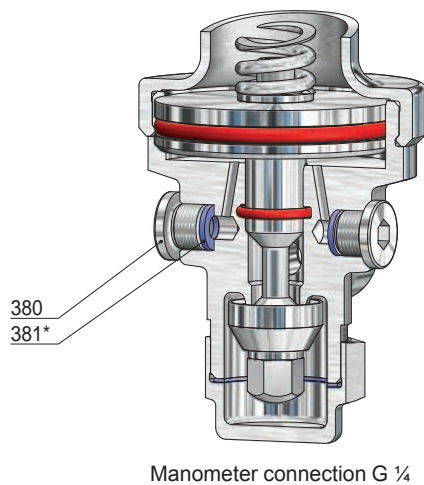
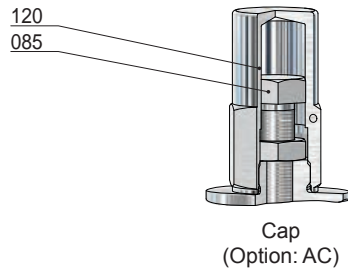
Item	Piece	Description	Item	Piece	Description
301	1	valve body	350 *	1	o-ring
030	1	spring bonnet	351 *	1	o-ring
060 *	1	disc, complete	352 *	1	o-ring
560	1	disc	356 *	1	sealing ring
061	1	pressure piece	357	1	bottom plug
065	1	disc bolt	380	2	screw plug
071	1	o-ring	381 *	2	sealing ring
081	1	spring			
082	1	springplate, upper			
085	1	adjusting screw			
086	1	lock nut			
300	1	piston			
310	1	piston plate			
314	1	lock nut			

\* expendable parts

# Pressure-Reducing-Valve, springloaded

for steam, gases and liquids

## Typ 70



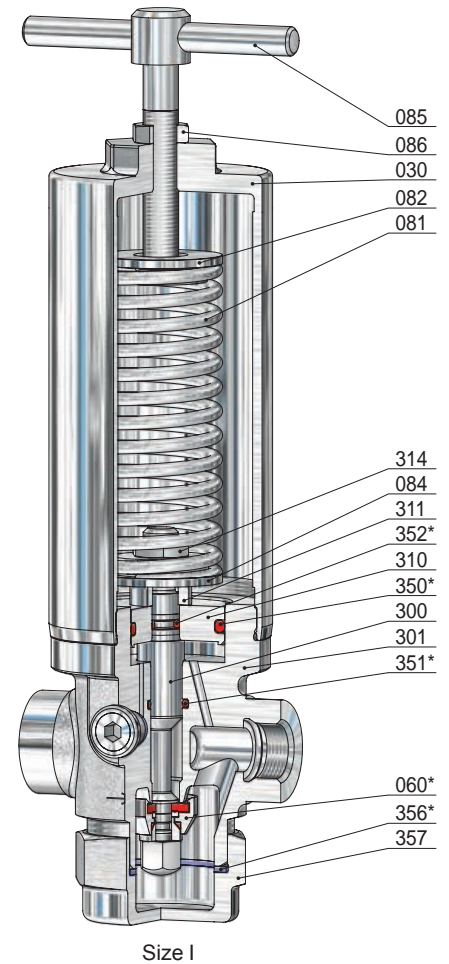
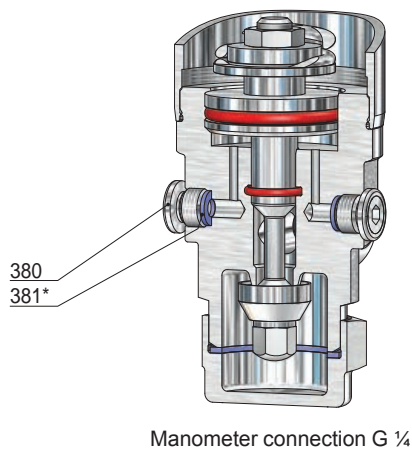
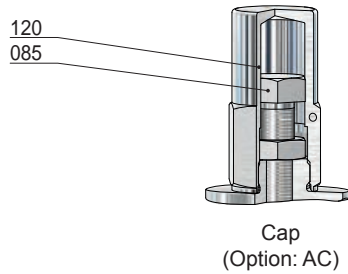
Item	Piece	Description	Item	Piece	Description
301	1	valve body	086	1	lock nut
030	1	spring bonnet	120	1	cap
060 *	1	disc, complete	300	1	piston
560	1	disc	310	1	piston plate
061	1	pressure piece	324	1	screw
062	1	soft sealing	350 *	1	o-ring
065	1	disc bolt	351 *	1	o-ring
071	1	o-ring	352 *	1	o-ring
072	1	locking ring	356 *	1	sealing ring
073	1	o-ring <i>(only for thermoplastics soft sealing)</i>	357	1	bottom plug
081	1	spring	380	2	screw plug
082	1	springplate, upper	381 *	2	sealing ring
084	1	springplate, lower			
085	1	adjusting screw			

\* expendable parts

# Pressure-Reducing-Valve, springloaded

for steam, gases and liquids

## Typ 70



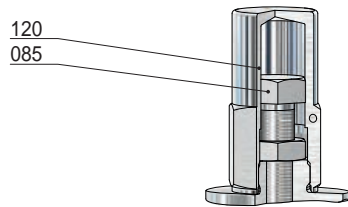
Item	Piece	Description	Item	Piece	Description
301	1	valve body	086	1	lock nut
030	1	spring bonnet	120	1	cap
060 *	1	disc, complete	300	1	piston
560	1	disc	310	1	piston plate
061	1	pressure piece	311	1	distance bush
062	1	soft sealing	314	1	lock nut
065	1	disc bolt	350 *	1	o-ring
071	1	o-ring	351 *	1	o-ring
072	1	locking ring	352 *	1	o-ring
073	1	o-ring <i>(only for thermoplastics soft sealing)</i>	356 *	1	sealing ring
081	1	spring	357	1	bottom plug
082	1	springplate, upper	380	2	screw plug
084	1	springplate, lower	381 *	2	sealing ring
085	1	adjusting screw			

\* expendable parts

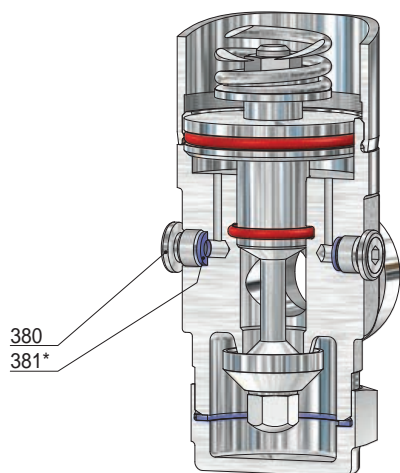
# Pressure-Reducing-Valve, springloaded

for steam, gases and liquids

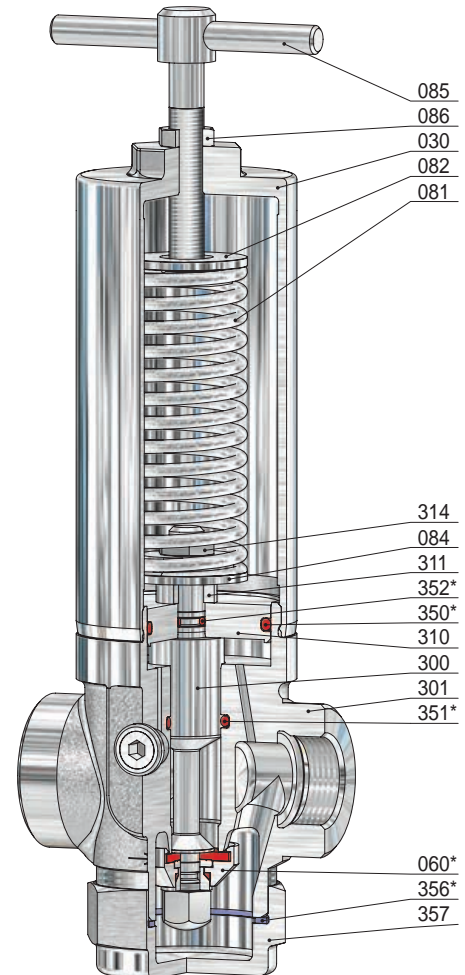
## Typ 70



Cap  
(Option: AC)



Manometer connection G ¼



Size II

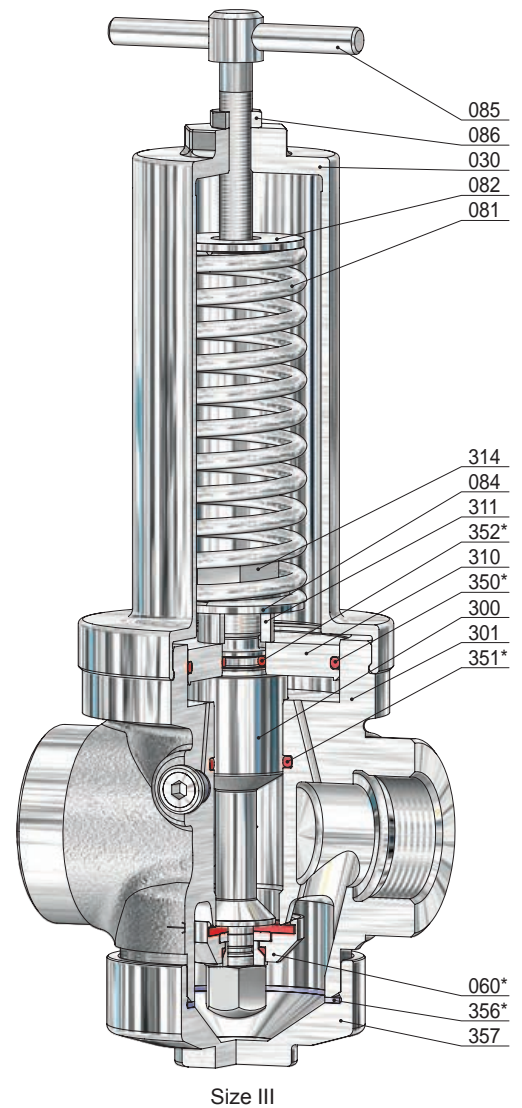
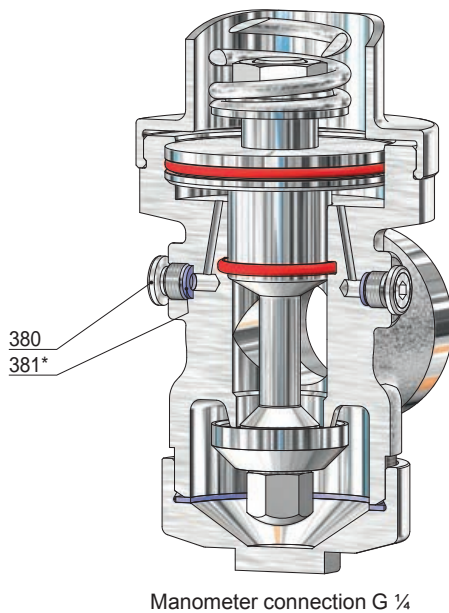
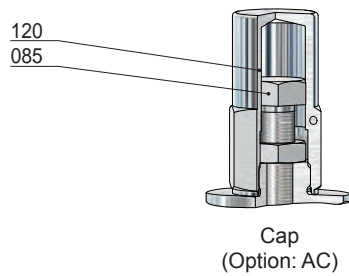
Item	Piece	Description	Item	Piece	Description
301	1	valve body	086	1	lock nut
030	1	spring bonnet	120	1	cap
060 *	1	disc, complete	300	1	piston
560	1	disc	310	1	piston plate
061	1	pressure piece	311	1	distance bush
062	1	soft sealing	314	1	lock nut
065	1	disc bolt	350 *	1	o-ring
071	1	o-ring	351 *	1	o-ring
072	1	locking ring	352 *	1	o-ring
073	1	o-ring <i>(only for thermoplastics soft sealing)</i>	356 *	1	sealing ring
081	1	spring	357	1	bottom plug
082	1	springplate, upper	380	2	screw plug
084	1	springplate, lower	381 *	2	sealing ring
085	1	adjusting screw			

\* expendable parts

# Pressure-Reducing-Valve, springloaded

for steam, gases and liquids

## Typ 70



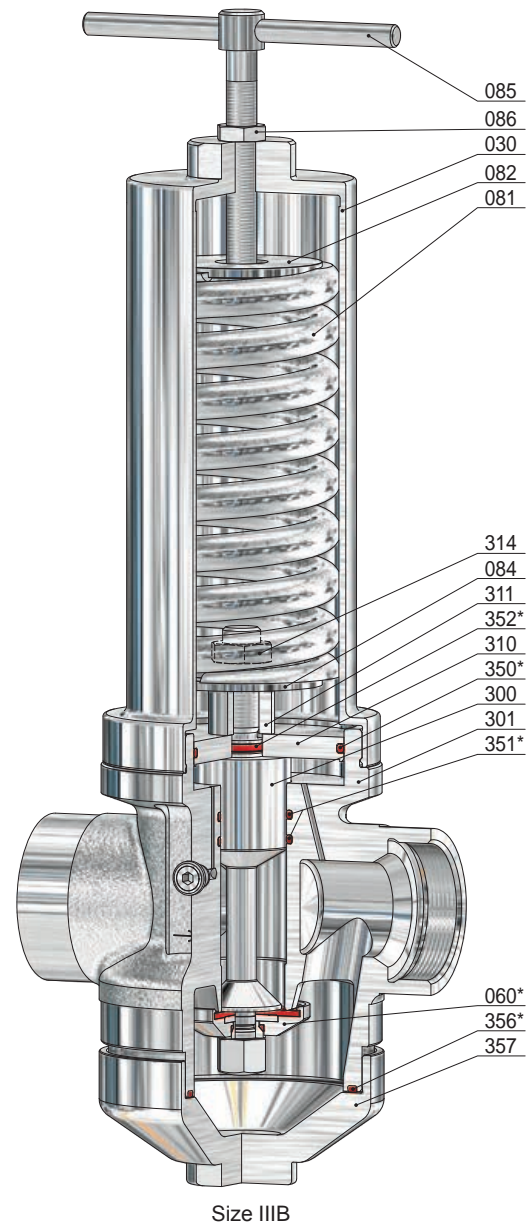
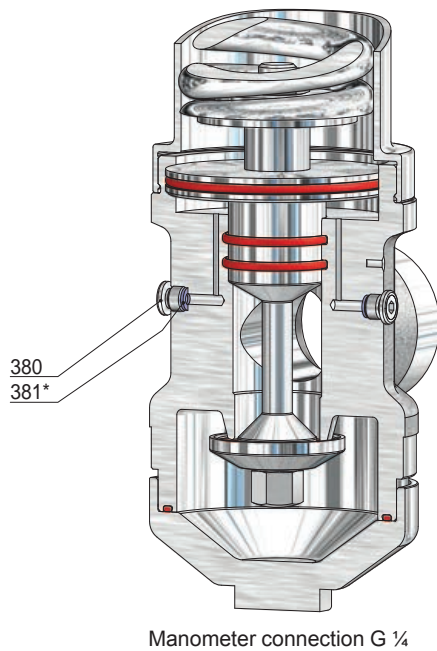
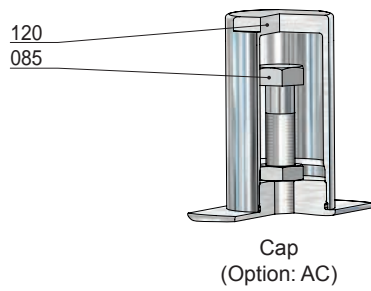
Item	Piece	Description	Item	Piece	Description
301	1	valve body	086	1	lock nut
030	1	spring bonnet	120	1	cap
060 *	1	disc, complete	300	1	piston
560	1	disc	310	1	piston plate
061	1	pressure piece	311	1	distance bush
062	1	soft sealing	314	1	lock nut
065	1	disc bolt	350 *	1	o-ring
071	1	o-ring	351 *	1	o-ring
072	1	locking ring	352 *	1	o-ring
073	1	o-ring <i>(only for thermoplastics soft sealing)</i>	356 *	1	sealing ring
081	1	spring	357	1	bottom plug
082	1	springplate, upper	380	2	screw plug
084	1	springplate, lower	381 *	2	sealing ring
085	1	adjusting screw			

\* expendable parts

# Pressure-Reducing-Valve, springloaded

for steam, gases and liquids

## Typ 70



Item	Piece	Description	Item	Piece	Description
301	1	valve body	086	1	lock nut
030	1	spring bonnet	120	1	cap
060 *	1	disc, complete	300	1	piston
560	1	disc	310	1	piston plate
061	1	pressure piece	311	1	distance bush
062	1	soft sealing	314	1	lock nut
065	1	disc bolt	350 *	1	o-ring
071	1	o-ring	351 *	2	o-ring
072	1	locking ring	352 *	1	o-ring
073	1	o-ring <i>(only for thermoplastics soft sealing)</i>	356 *	1	sealing ring
081	1	spring	357	1	bottom plug
082	1	springplate, upper	380	2	screw plug
084	1	springplate, lower	381 *	2	sealing ring
085	1	adjusting screw			

\* expendable parts