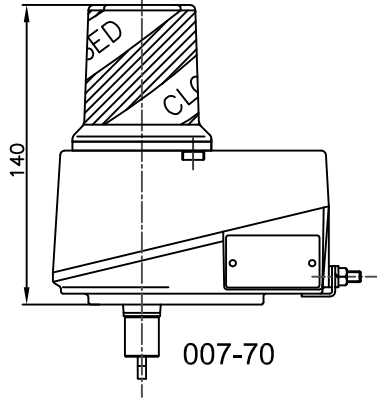
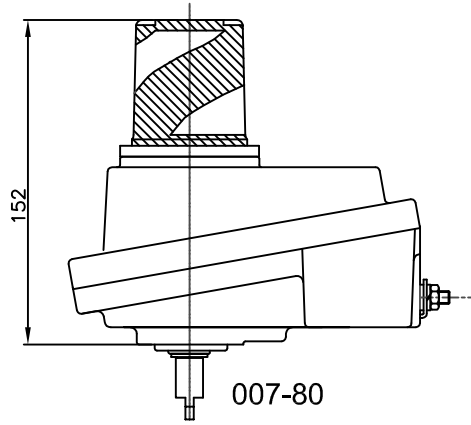


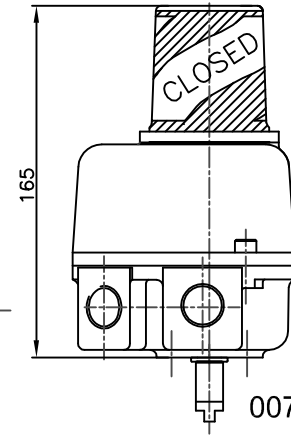
007-50



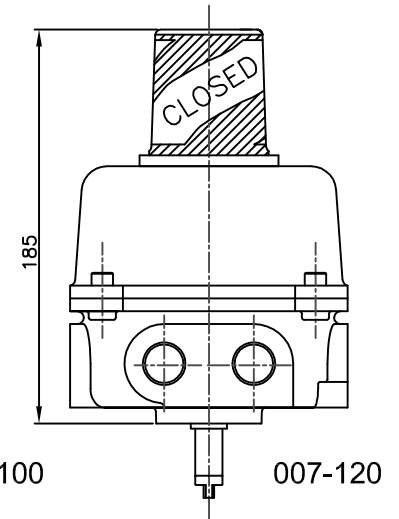
007-70



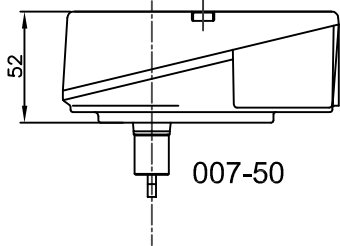
007-80



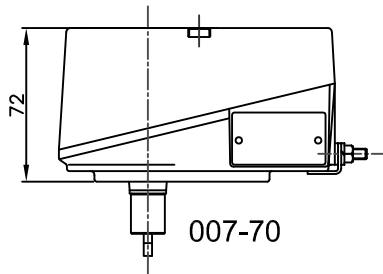
007-100



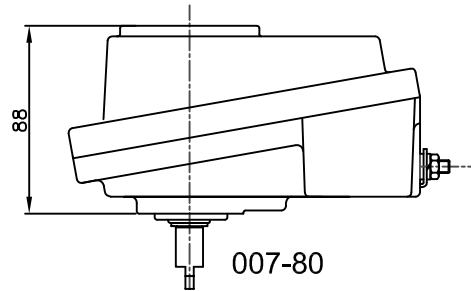
007-120



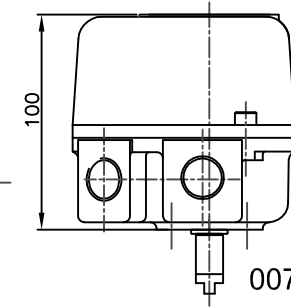
007-50



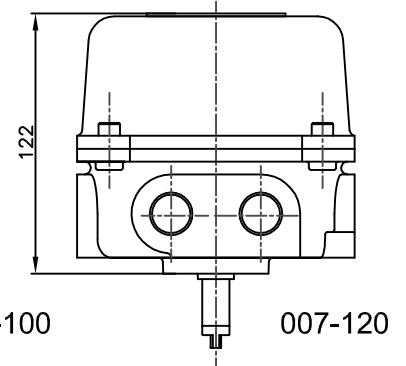
007-70



007-80



007-100



007-120

2	2351	12.08.11	BEP
Rev	C/N No.	Date	Appr

FOR THE PRODUCTION OF WORKS ORDER - W PURCHASE ORDER - P

Tolerance: 0.X +/-0.4 Material: Finish: Clean 0.XX +/-0.1

THIS DRAWING IS THE PROPERTY OF K CONTROLS LTD. AND IS ONLY ISSUED ON THE CONDITION THAT NO COPY IS TAKEN OR REPRODUCTION OR DISCLOSURE TO A THIRD PARTY EITHER WHOLLY OR IN PART IS MADE WITHOUT THE WRITTEN CONSENT OF K CONTROLS LTD.

CONTROLLED COPY UNCONTROLLED

K Controls Ltd
Stone Close, Horton Road
West Drayton Middlesex
UB7 8JU

DIMENSIONS IN mm

DRAWN *BEP* APPR ***

TITLE 007 HEIGHT COMPARISON

SCALE: DO NOT SCALE
PAGE 1 OF 1
DATE 27.01.11

DRAWING NO: SK C1025

REVISION 2