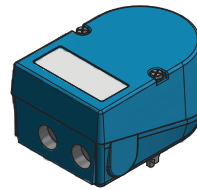


K7L-XXWF



K7L-XXGF & K7LXXDF

MODEL NUMBER

K7L-E2DFNMM

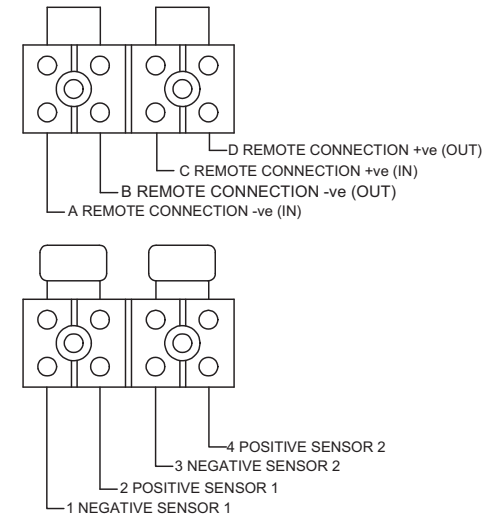
PRODUCT LINE

Switchbox K7L

SPECIFICATIONS

Enclosure	Aluminum
Bus/Sensor	(2) p+f nj2-v3-n
Area Classification	ATEX/IECEX, Ex ia and Ex tb
Visual Display	Flattop
Shaft	NAMUR
Conduit Entries	(2) M20
O-Rings	Silicone
Pilot	No Pilot
Spool Valve	No Spool Valve
Valve Cv	No Valve Cv
Manual Override	No Manual Override
Regional Certification	No Regional Certification
N Switch	No N Switch

WIRING DIAGRAM



Current as of August 25, 2021 – Subject to change without notice.

NAMEPLATE



TopWorx
3300 Fern Valley Road
Louisville KY 40213 USA
+1 502 969 8000
Made in the UK

S-P-D-IEC
Baseefa 16ATEX0138/ IECEx BAS 16.0107
Ex ia IIC T6/T5 Gb; Ex tb IIIC T85°C/T100°C Db
Ta: -25°C to 42°C/57°C; IP66/67
SWITCH: Ui:16V, Ii:52mA, Pi:0.169W, Ci:100nF, Li:550µH
REMOTE CONNECTIONS: Ui=30VDC MAX
Cable Entry: M20

Model #:

Serial #:

TOPWORX

3300 Fern Valley Road
Louisville, KY 40213

(502)969-8000 PH
(502)969-5911 FAX
www.topworx.com