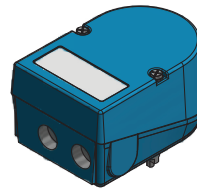


K7L-XXWF



K7L-XXGF & K7LXXDF

MODEL NUMBER

K7L-52WFNMM

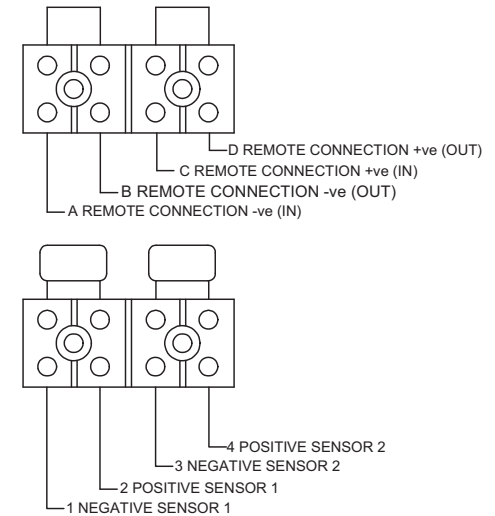
PRODUCT LINE

Switchbox K7L

SPECIFICATIONS

Enclosure	Aluminum
Bus/Sensor	(2) P+F NBB3-V3-Z2
Area Classification	No Approvals
Visual Display	Flattop
Shaft	NAMUR
Conduit Entries	(2) M20
O-Rings	Silicone
Pilot	No Pilot
Spool Valve	No Spool Valve
Valve Cv	No Valve Cv
Manual Override	No Manual Override
Regional Certification	No Regional Certification
N Switch	No N Switch

WIRING DIAGRAM



Current as of August 25, 2021 – Subject to change without notice.

NAMEPLATE



IP66/67
SWITCH: 60VDC/100mA
SOLENOID: 250V/2A
Cable Entry: M20

Topworx
3300 Fern Valley Road
Louisville KY 40213 USA
+1 502 969 8000
Made in the UK

Model #:

Serial #:

TOPWORX

3300 Fern Valley Road
Louisville, KY 40213

(502)969-8000 PH
(502)969-5911 FAX
www.topworx.com