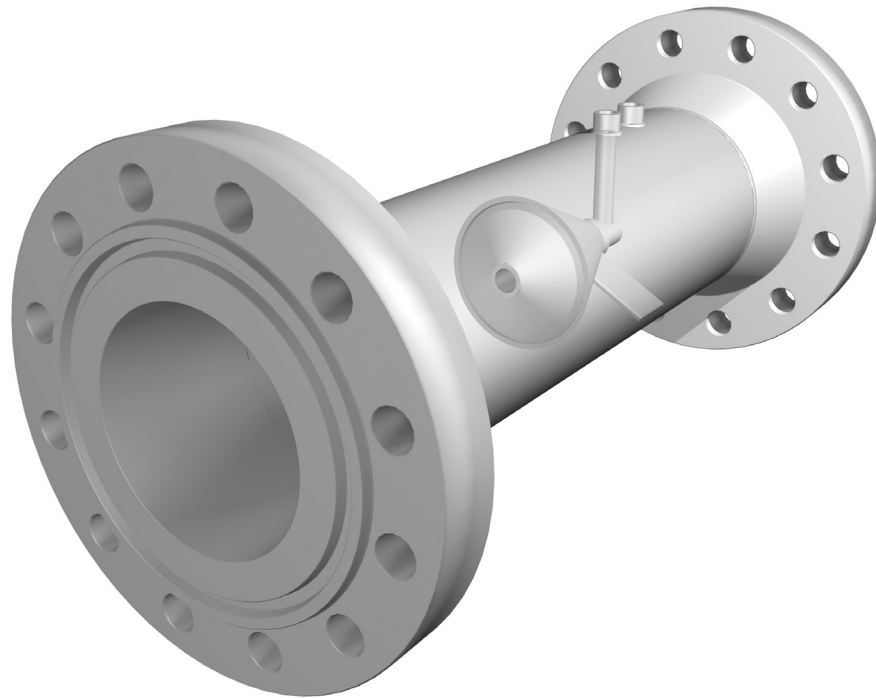


**Advanced  
Differential  
Pressure  
Flowmeter  
Technology**



# INSTALLATION OPERATION & MAINTENANCE MANUAL

Lit. # 24509-15, Rev. 4.3  
August 31, 2017

The V-Cone Installation, Operation & Maintenance Manual is also available in Spanish, French and Portuguese on the McCrometer website.

[www.mccrometer.com](http://www.mccrometer.com)

24509-23 V-Cone IOM Manual (Spanish) <http://www.mccrometer.com/library/pdf/24509-23.pdf>

24508-87 V-Cone IOM Manual (French) <http://www.mccrometer.com/library/pdf/24508-87.pdf>

24519-23 V-Cone IOM Manual (Portuguese) <http://www.mccrometer.com/library/pdf/24519-23.pdf>

Copyright © 1992-2017 McCrometer, Inc. All printed material should not be changed or altered without permission of McCrometer. Any published technical data and instructions are subject to change without notice. Contact your McCrometer representative for current technical data and instructions.



3255 WEST STETSON AVENUE • HEMET, CALIFORNIA 92545 USA  
TEL: 951-652-6811 • 800-220-2279 • FAX: 951-652-3078

[www.mccrometer.com](http://www.mccrometer.com)  
Printed In The U.S.A.

Lit. # 24509-15 Rev. 4.3 / 8-31-17

# Contents

<b>GENERAL</b> .....	<b>1</b>	4.18 Horizontal Piping Installations: Condensing Vapors .	15
1.1 Introduction .....	1	4.19 Vertical Piping Installations: General .....	16
1.2 Principles Of Operation .....	1	4.20 Vertical Piping Installations: Up Flow .....	16
1.3 Reshaping The Velocity Profile .....	1	4.21 Vertical Piping Installations: Gas .....	16
<b>FEATURES</b> .....	<b>2</b>	4.22 Vertical Piping Installations: Liquids .....	17
2.1 High Accuracy .....	2	4.23 Vertical Piping Installations: Condensing vapors, i.e.	18
2.2 Repeatability .....	2	steam .....	18
2.3 Turndown .....	2	4.24 Calibration Compensated Installation.....	18
2.4 Installation Requirements .....	3	4.25 Vertical Down Flow Piping Installations: General ....	18
2.5 Long Term Performance.....	3	4.26 Vertical Down Flow Piping Installations: Gas .....	19
2.6 Signal Stability.....	3	4.27 Vertical Down Flow Piping Installations: Liquids ....	20
2.7 Low Permanent Pressure Loss .....	3	4.28 Vertical Down Flow Piping Installations: Condensing	21
2.8 Sizing .....	4	Vapors, i.e. Steam .....	21
2.9 No Areas of Stagnation.....	4	4.29 Supporting Manifold Blocks and Dual Transmitters ..	22
2.10 Mixing.....	4	4.30 Zeroing DP Pressure Transmitters Following	23
2.11 V-Cone Models .....	4	Installation For Steam Flow Applications.....	23
<b>THE V-CONE FLOW MEASUREMENT SYSTEM</b> .....	<b>5</b>	4.31 Zeroing DP Pressure Transmitters Following Installation	23
3.1 Application Data.....	5	For Ambient Temperature Liquid Applications .....	23
3.2 Flow Calculations .....	5	4.32 Zeroing DP Pressure Transmitters Following	24
3.3 Simplified Liquid Calculation .....	7	Installation For Gas Applications.....	24
3.4 Application Sizing .....	8	4.33 Zeroing Low Range Transmitters .....	24
3.5 Calibration.....	8	4.34 Differential Pressure Measurement .....	25
3.6 Materials Of Construction .....	8	4.35 Temperature And Pressure Measurement .....	25
3.7 Valve Manifolds.....	8	<b>DIMENSIONS</b> .....	<b>26</b>
3.8 Secondary And Tertiary Instrumentation.....	9	5.1 Face To Face Dimensions .....	26
3.9 Meter Tag.....	9	5.2 Face To Face Dimensions .....	26
<b>INSTALLATION</b> .....	<b>10</b>	<b>MODEL SELECTIONS</b> .....	<b>27</b>
4.1 Scope .....	10	6.1 Wafer-Cone® Model Template .....	27
4.2 Safety .....	10	6.2 Precision Tube V-Cone Model Template .....	27
4.3 Unpacking.....	10	6.3 V-Cone Special Models.....	28
4.4 Orientation .....	10	6.4 V-Cone Materials.....	28
4.5 Piping Specification.....	10	<b>MAINTENANCE</b> .....	<b>29</b>
4.6 Piping Requirements.....	11	7.1 Periodic Maintenance.....	29
4.7 Isolation (Block) Valves .....	11	<b>TROUBLESHOOTING</b> .....	<b>29</b>
4.8 Valve Manifolds.....	11	8.1 Troubleshooting A V-Cone System On-Site.....	29
4.9 Installation .....	12	<b>V-CONE LITERATURE</b> .....	<b>32</b>
4.10 Pressure Taps .....	12	9.1 Configuration Sheets of Various V-Cone Models.....	32
4.11 Remote Seals or Chemical Seals .....	13	<b>APPENDICES</b> .....	<b>33</b>
4.12 Impulse Line: General .....	13	10.1 V-Cone Installation Guide: Upstream and Downstream	33
4.13 Impulse Line: Process Industries .....	13	Minimum Straight Pipe Run Recommendations.....	33
4.14 Impulse Line: Steam Applications.....	13	<b>MANUFACTURER'S WARRANTY</b> .....	<b>35</b>
4.15 Insulation.....	13		
4.16 Horizontal Piping Installations: Gas .....	14		
4.17 Horizontal Piping Installations: Liquids.....	15		

# 1.0

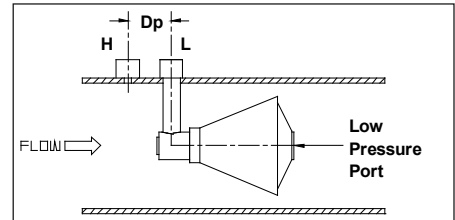
## General

### 1.1 Introduction

The McCrometer V-Cone® Flowmeter is a patented technology that accurately measures flow over a wide range of Reynolds numbers, under all kinds of conditions and for a variety of fluids. It operates on the same physical principle as other differential pressure-type flowmeters, using the theorem of conservation of energy in fluid flow through a pipe. The V-Cone's remarkable performance characteristics, however, are the result of its unique design. It features a centrally-located cone inside the tube. The cone interacts with the fluid flow, reshaping the fluid's velocity profile and creating a region of lower pressure immediately downstream of itself. The pressure difference, exhibited between the static line pressure and the low pressure created downstream of the cone, can be measured via two pressure sensing taps. One tap is placed slightly upstream of the cone, the other is located in the downstream face of the cone itself. The pressure difference can then be incorporated into a derivation of the Bernoulli equation to determine the fluid flow rate. The cone's central position in the line optimizes the velocity profile of the flow at the point of measurement, assuring highly accurate, reliable flow measurement regardless of the condition of the flow upstream of the meter.

### 1.2 Principles Of Operation

The V-Cone is a differential pressure type flowmeter. Basic theories behind differential pressure type flowmeters have existed for over a century. The principal theory among these is Bernoulli's theorem for the conservation of energy in a closed pipe. This states that for a constant flow, the pressure in a pipe is inversely proportional to the square of the velocity in the pipe. Simply, the pressure decreases as the velocity increases. For instance, as the fluid approaches the V-Cone meter, it will have a pressure of  $P_1$ . As the fluid velocity increases at the constricted area of the V-Cone, the pressure drops to  $P_2$ , as shown in Figure 1. Both  $P_1$  and  $P_2$  are measured at the V-Cone's taps using a variety of differential pressure transducers. The  $D_p$  created by a V-Cone will increase and decrease exponentially with the flow velocity. As the constriction takes up more of the pipe cross-sectional area, more differential pressure will be created at the same flowrates. The beta ratio equals the flow area at the largest cross section of the cone (converted to an equivalent diameter) divided by the meter's inside diameter (see section 3.2).



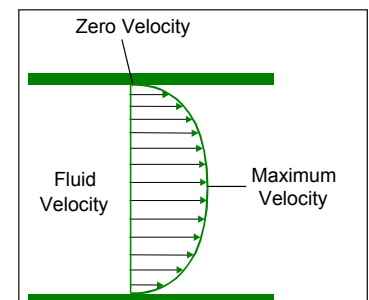
**Figure 1. High and Low Ports**

### 1.3 Reshaping The Velocity Profile

The V-Cone is similar to other differential pressure ( $D_p$ ) meters in the equations of flow that it uses. V-Cone geometry, however, is quite different from traditional  $D_p$  meters. The V-Cone constricts the flow by positioning a cone in the center of the pipe.

This forces the flow in the center of the pipe to flow around the cone. This geometry presents many advantages over the traditional concentric  $D_p$  meter. The actual shape of the cone has been continuously evaluated and tested for over ten years to provide the best performance under differing circumstances.

One must understand the idea of a flow profile in a pipe to understand the performance of the V-Cone. If the flow in a long pipe is not subject to any obstructions or disturbances, it is well-developed flow. If a line passes across the diameter of this well-developed flow, the velocity at each point on that line would be different. The velocity would be zero at the wall of the pipe, maximum at the center of the pipe, and zero again at the opposite wall. This is due to friction at the pipe walls that slows the fluid as it passes. Since the cone is suspended in the center of the pipe, it interacts directly with the "high velocity core" of the flow. The cone forces the high velocity core to mix with the lower velocity flows closer to the pipe walls. Other  $D_p$  meters have centrally located openings and do not interact with this high velocity core. This is an important advantage to the V-Cone at lower flowrates. As the flowrate

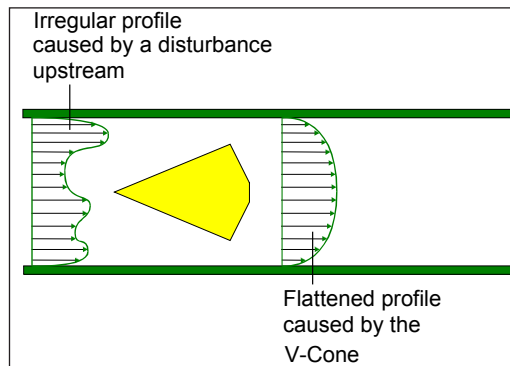


**Figure 2. Velocity Profile**

decreases, the V-Cone continues to interact with the highest velocity in the pipe. Other Dp meters may lose their useful Dp signal at flows where the V-Cone can still produce one.

The pipe flow profile in actual installations is rarely ideal. There are many installations where a flowmeter exists in flow that is not well developed. Practically any changes to the piping, such as elbows, valves, reductions, expansions, pumps, and tees can disturb well-developed flow. Trying to measure disturbed flow can create substantial errors for other flowmeter technologies. The V-Cone overcomes this by reshaping the velocity profile upstream of the cone. This is a benefit derived from the cone's contoured shape and position in the line. As the flow approaches the cone, the flow profile "flattens" toward the shape of a well-developed profile.

The V-Cone can flatten the flow profile under extreme conditions, such as a single elbow or double elbows out-of-plane, positioned closely upstream of the meter. This means that as different flow profiles approach the cone, there will always be a predictable flow profile at the cone. This ensures accurate measurement even in non-ideal conditions.



**Figure 3. Flattened Velocity Profile**

## 2.0 Features

### 2.1 High Accuracy

The V-Cone primary element can be accurate to  $\pm 0.5\%$  of flow rate reading and the Wafer-Cone® can be accurate to  $\pm 1.0\%$ . The level of accuracy is dependent to a degree on application parameters and secondary instrumentation.

*Accuracy statements of percent of actual flow rate means that the measurement uncertainty is within the given percent value within the stated range for the flowmeter.*

### 2.2 Repeatability

The V-Cone and the Wafer-Cone primary elements exhibit excellent repeatability of  $\pm 0.1\%$  or better.

*Repeatability is a flowmeter's ability to repeat it's accuracy at a given flow rate.*

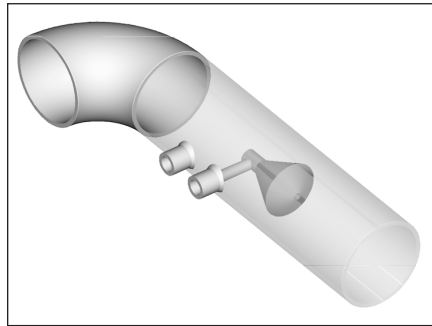
### 2.3 Turndown

The turndown of the V-Cone can reach far beyond traditional Dp meters. A typical turndown for a V-Cone is 10 to 1. Greater turndowns are attainable. Flows with Reynolds numbers as low as 8000 will produce a linear signal. Lower Reynolds number ranges are measurable and are repeatable by applying a curve fit to the measured Dp, derived from calibration over a specific Reynolds number range.

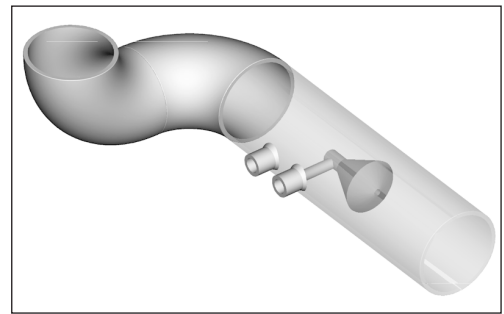
## 2.4 Installation Requirements

Since the V-Cone can flatten the velocity profile, it can function much closer to upstream disturbances than other Dp meters. The recommended installation for the V-Cone is zero to three diameters of straight run upstream and zero to one diameter downstream. This can be a major benefit to users with larger, more expensive line sizes or users which have small run lengths. McCrometer conducted performance tests of the V-Cone downstream of a single 90° elbow and two close coupled 90° elbows out of plane. These tests show that the V-Cone can be installed adjacent to either single elbows or two elbows out of plane without sacrificing accuracy.

For specific installation recommendations, see appendices.



**Figure 4. Single Elbow and V-Cone**



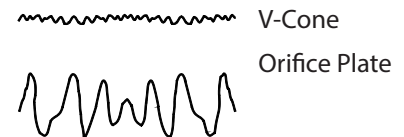
**Figure 5. Double Elbow and V-Cone**

## 2.5 Long Term Performance

The contoured shape of the cone constricts the flow without impacting the flow against an abrupt surface. A boundary layer forms along the cone and directs the fluid away from the beta edge. This means the beta edge will not be as subject to the usual wear by unclean fluids, as is the case with an orifice plate. The beta ratio will then remain unchanged and the calibration of the meter will be accurate for a much longer time.

## 2.6 Signal Stability

Every Dp meter has a “signal bounce”. This means that even in steady flow, the signal generated by the primary element will fluctuate a certain amount. On a typical orifice plate, the vortices that form just after the plate are long. These long vortices create a high amplitude, low frequency signal from the orifice plate. This could disturb the Dp readings from the meter. The V-Cone forms very short vortices as the flow passes the cone. These short vortices create a low amplitude, high frequency signal. This translates into a signal with high stability from the V-Cone. Representative signals from a V-Cone and from a typical orifice plate are shown in Figure 6.



**Figure 6. Signal Stability**

## 2.7 Low Permanent Pressure Loss

Without the impact of an abrupt surface, the permanent pressure loss is lower than a typical orifice plate meter. Also, the signal stability of the V-Cone allows the recommended full scale Dp signal to be lower for the V-Cone than other Dp meters. This will lower the permanent pressure loss.

**2.8 Sizing**

The unique geometry of the V-Cone allows for a wide range of beta ratios. Standard beta ratios range from 0.45, 0.55, 0.65, 0.75, and 0.80.

**2.9 No Areas of Stagnation**

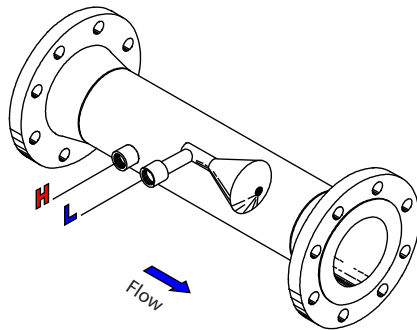
The “swept through” design of the cone does not allow for areas of stagnation where debris, condensation or particles from the fluid could accumulate.

**2.10 Mixing**

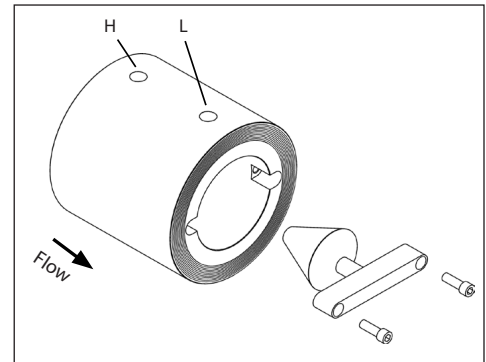
The short vortices described in section 2.6 mix the fluid thoroughly just downstream of the cone. The V-Cone is currently used in many applications as a static mixer where instant and complete mixing are necessary.

**2.11 V-Cone Models**

McCrometer offers two types of V-Cone primary elements: the precision tube V-Cone and the Wafer-Cone. Precision tube V-Cones range in line sizes from ½” to 150” and larger and Wafer-Cones range from 1” to 6”.



**Figure 7. Precision Tube V-Cone**



**Figure 8. Wafer-Cone**

# 3.0

## The V-Cone Flow Measurement System

### 3.1 Application Data

The customer must provide application parameters so that the appropriate V-Cone flowmeter may be selected. McCrometer has an extensive meter performance database of fluid properties which can be utilized for sizing purposes.

### 3.2 Flow Calculations

#### Nomenclature

Symbol	Description	English Units	Metric Units
$\alpha$	Material Thermal Expansion $\alpha$ or $\alpha_{\text{coner}}$ $\alpha_{\text{pipe}}$ (alpha)	$^{\circ}\text{R}^{-1}$	$^{\circ}\text{R}^{-1}$
$\beta$	Beta Ratio	-	-
$C_D$	Flowmeter Coefficient	-	-
$d$	Cone Outside Diameter	in	mm
$D$	Pipe Inside Diameter	in	mm
$\Delta P$	Differential Pressure (DP)	inWC	mbar
$\Delta P_{\text{max}}$	Maximum Differential Pressure on Sizing	See note 4	See note 4
$F_a$	Material Thermal Expansion Factor	-	-
$k$	Gas Isentropic Exponent	-	-
$k_1$	Flow Constant	$\sqrt{\frac{\text{lbm} \cdot \text{ft}^3}{\text{s}^2 \cdot \text{inWC}}}$	$\sqrt{\frac{\text{kg} \cdot \text{m}^3}{\text{s}^2 \cdot \text{mbar}}}$
$k_2$	Simplified Liquid Flow Constant	See note 4	See note 4
$\mu$	Viscosity	cP	cP
$P$	Operating Pressure	psiA	barA
$P_b$	Base Pressure	psiA	barA
$Q$	Actual Volume Flow	ACFS	$\text{m}^3/\text{s}$
$Q_{\text{max}}$	Maximum Flowrate on Sizing	See note 4	See note 4
$Q_{\text{STD}}$	Standard Gas Volume Flow	SCFS	$\text{Nm}^3/\text{s}$
$Re$	Reynolds Number	-	-
$\rho$	Flowing Density (rho)	$\text{lbm}/\text{ft}^3$	$\text{kg}/\text{m}^3$
$\rho_{\text{water}}$	Water Density	$62.3663 \text{ lbm}/\text{ft}^3$	$999.012 \text{ kg}/\text{m}^3$
$S_g$	Specific Gravity of the Gas	-	-
$S_L$	Specific Gravity of the Liquid	-	-
$T$	Operating Temperature	$^{\circ}\text{R}$	K
$T_b$	Base Temperature	$^{\circ}\text{R}$	K
$T_d$	Deviation from Standard Temperature ( $^{\circ}\text{R}$ )	$T_d = T - 527.67$	$T_d = T - 527.67$
$U_1$	Unit Conversion	$0.0360912 \text{ psiA}/\text{inWC}$	$0.001 \text{ barA}/\text{mbar}$
$U_2$	Unit Conversion	$144 \text{ in}^2/\text{ft}^2$	$1,000,000 \text{ mm}^2/\text{m}^2$
$U_3$	Unit Conversion	$167.213 \text{ lbm}/\text{s}^2\text{ft inWC}$	$100 \text{ kg}/\text{m}^2 \text{ mbar}$
$U_4$	Unit Conversion	$124.0137 \text{ cP ft s} / \text{lbm}$	1
$U_5$	Unit Conversion	$2.6988 \text{ }^{\circ}\text{R lbm} / \text{ft}^3 \text{ psiA}$	$348.338 \text{ K kg} / \text{m}^3 \text{ barA}$
$v$	Velocity	$\text{ft}/\text{s}$	$\text{m}/\text{s}$
$Y$	Gas Expansion Factor	-	-
$Z$	Gas Compressibility	-	-
$Z_b$	Base Gas Compressibility	-	-



## General Flow Calculations (continued)

3.2.1	V-Cone Beta Ratio	$\beta = \sqrt{1 - \frac{d^2}{D^2}}$	$\beta$ from sizing report
3.2.2	Flow Constant	$k_1 = \frac{\pi \cdot \sqrt{2 \cdot U_3} \cdot D^2 \cdot \beta^2}{4 \cdot U_2 \cdot \sqrt{1 - \beta^4}}$	
3.2.3	Material Thermal Expansion Factor	$F_a = 1 + 2 \cdot \alpha \cdot T_d$	See note 1
3.2.4	Material Thermal Expansion Factor if cone and main pipe are made of different materials	$F_a = \frac{D^2 - d^2}{[(1 - \alpha_{pipe} \cdot T_d) \cdot D]^2 - [(1 - \alpha_{cone} \cdot T_d) \cdot d]^2}$	See note 1
3.2.5	Pipeline Velocity	$v = \frac{4 \cdot U_2 \cdot Q}{\pi \cdot D^2}$	
3.2.6	Reynolds Number	$Re = U_4 \frac{v \cdot D \cdot \rho}{\mu}$	Dimensionless number which can be used to correlate meter calibration in different fluids
3.2.7	V-Cone Gas Expansion Factor	$Y = 1 - (0.649 + 0.696 \cdot \beta^4) \frac{U_1 \cdot \Delta P}{k \cdot P}$	For Liquids Y = 1
3.2.8	Wafer Gas Expansion Factor	$Y = 1 - (0.755 + 6.78 \cdot \beta^8) \frac{U_1 \cdot \Delta P}{k \cdot P}$	For Liquids Y = 1
3.2.9	Liquid Density	$\rho = \rho_{agua} \cdot S_L$	
3.2.10	Gas Density	$\rho = U_5 \frac{S_g \cdot P}{Z \cdot T}$	
3.2.11	Actual Volume Flowrate	$Q = F_a \cdot C_D \cdot Y \cdot k_1 \cdot \sqrt{\frac{\Delta P}{\rho}}$	See notes 2, 3 & 5
3.2.12	Standard Gas Volume Flowrate	$Q_{STD} = Q \cdot \left( \frac{P \cdot T_b \cdot Z_b}{P_b \cdot T \cdot Z} \right)$	Converts actual flow to standard flow at base conditions

## 3.3 Simplified Liquid Calculation

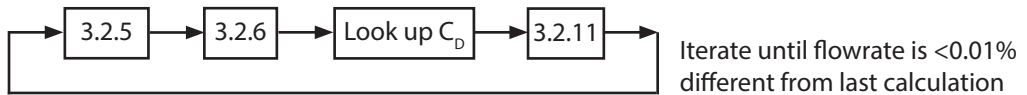
3.3.1	Simplified Liquid Flow Constant	$k_2 = \frac{Q_{\max}}{\sqrt{\Delta P_{\max}}}$	See note 4
3.3.2	Simplified Liquid Flowrate	$Q = k_2 \sqrt{\Delta P}$	See note 4

**Notes:**

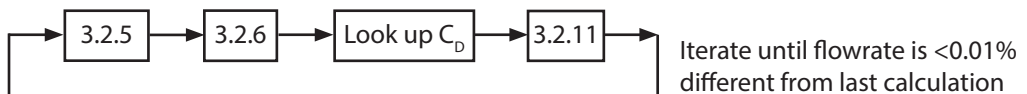
1. Material Thermal Expansion – The thermal expansion equations correct for dimensional changes which occur as the operating temperature deviates from the base temperature of 68° F (see 3.2.3 and 3.2.4) The  $F_a$  factor can be excluded from the flow equation if the operating temperature is:
  - < 100° Fahrenheit , < 559.67° Rankine , < 37.78° Celsius, < 310.93 K.

If the  $F_a$  factor is significant and the operating temperature is stable then a constant  $F_a$  value can be used. If the  $F_a$  factor is significant and the temperature varies then an  $F_a$  factor should be calculated prior to every flow calculation.

2. Discharge Coefficient – Discharge coefficients can be implemented in the flow equations via several different methods. Typical methods are average  $C_D$  ,  $C_D$  look up table, or  $C_D$  fitted data. If a  $C_D$  look up table or fitted data is utilized additional calculations must be made based on the Reynolds number (see example process 3d and 5b).
3. Liquid – Typical Calculation Process
  - a. Given:  $D, \beta, \rho, C_D$ , and input of  $\Delta P$   
Calculate: 3.2.2, 3.2.11
  - b. Given:  $D, \beta, \rho, C_D$ , and input of  $\Delta P, T$   
Calculate: 3.2.2, 3.2.3 or 3.2.4 if req., 3.2.11
  - c. Given:  $D, \beta, S_g, C_D$ , and input of  $\Delta P, T$   
Calculate: 3.2.2, 3.2.3 or 3.2.4 if req., 3.2.9, 3.2.11
  - d. Given:  $D, \beta, \mu, \rho, C_D$  look up, and input of  $\Delta P$   
Calculate: initially set  $C_D = 0.8$ , 3.2.2, 3.2.3 or 3.2.4 if req., 3.2.11



4. Simplified Liquid Calculation – The simplified liquid calculation can be used if the operating temperature is stable and the  $C_D$  is constant. The simplified flow constant ( $k_2$ ) can be calculated from equation 3.3.1 using the V-Cone Application Sizing sheet. The flowrate can then be calculated using equation 3.3.2. Units of measure will be the same as those listed on the V-Cone Application Sizing sheet.
5. Gases and steam – Typical Calculation Process:
  - a. Given:  $D, \beta, \mu, S_g, Z, k, C_D$ , and inputs of  $\Delta P, P, T$   
Calculate: 3.2.2, 3.2.3 or 3.2.4 if req., 3.2.7 or 3.2.8, 3.2.10, 3.2.11
  - b. Given:  $D, \beta, \mu, S_g, Z, k, C_D$  look up, and inputs of  $\Delta P, P, T$   
Calculate: initially set  $C_D = 0.8$ , 3.2.2, 3.2.3 or 3.2.4 if req., 3.2.7 or 3.2.8, 3.2.10, 3.2.11



- Fluid Properties – Fluid properties such as velocity, compressibility and isentropic exponent vary with temperature and to some extent pressure. The viscosity in the calculations above could affect the selected  $C_D$  value, the compressibility directly effects the density and the isentropic exponent effects the Y factor, although to a small degree. The instrumentation industry uses many different approaches to calculate flow. McCrometer application engineering and the customer must determine which fluid properties are calculated at each set of flow conditions and which properties are constant.

### 3.4 Application Sizing

Each V-Cone is tailored to its specific application. Before manufacturing, every V-Cone will have a “sizing” completed according to the physical parameters of the application. The computer generated sizing uses application data as a basis to predict the V-Cone’s performance. Full scale DP, working flow range, expected accuracy, and predicted pressure loss are determined by the sizing process.

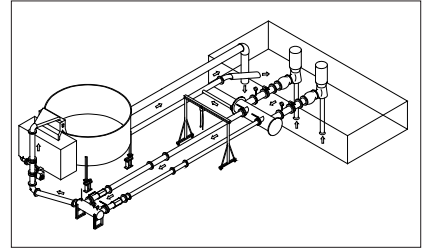
### 3.5 Calibration

McCrometer has four V-Cone test lines and can calibrate meters from 1/2” to 48” with a high degree of accuracy.

Test Lines:

Location	Type	Size Range	Flow Range	Fluid
Hemet, CA	Gravimetric	1/2” to 3”	195 GPM	Water
Hemet, CA	Gravimetric	3” to 16”	3100 GPM	Water
Hemet, CA	Transfer Standard	1/2” to 2”	150 SCFM	Air
Porterville, CA	Volumetric	16” to 48”	40,000 GPM	Water

McCrometer recommends calibration of every V-Cone meter. Optimal accuracy is achieved when a full flow range calibration is performed. In high Reynolds number applications this may require an outside gas calibration. As an alternative, McCrometer has developed a proprietary method to accurately extrapolate flow calibration data. In cases where the meter cannot be calibrated McCrometer can estimate the meter  $C_f$  based on 20 plus years of data.



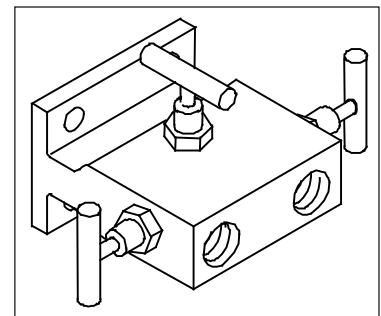
**Figure 9. Calibration Facility  
40k Gravimetric**

### 3.6 Materials Of Construction

All materials used for V-Cone flowmeters are certified. Materials furnished to McCrometer include a certified material test report (CMTR) from the original material manufacturer. The test reports include material composition and applicable material grades. Upon request copies of the material test reports can be supplied to our customers. See section 6.0 for typical materials of construction. Wafer-Cones are available for purchase with MTRs. Requirements for MTRs must be specified at the time of order.

### 3.7 Valve Manifolds

McCrometer recommends a three valve or five valve manifold as part of a V-Cone flow measurement system. Manifolds allow for in-line transmitter calibrations, isolation of the transmitter from the transmission lines, without depressurizing the line, and in-line purging of transmission lines.



**Figure 10. Manifold**

### 3.8 Secondary And Tertiary Instrumentation

A differential pressure transmitter measures the differential pressure signal from the primary element. Once the signal is measured, the transmitter generates an electronic signal that is then interpreted by a flow monitor or other process control system. For compressible fluids, line pressure and temperature measurements are generally required for accurate flow measurement. McCrometer offers the following flow measurement instrumentation: differential pressure transmitters, flow computers, and pressure and temperature sensors for mass flow measurement.

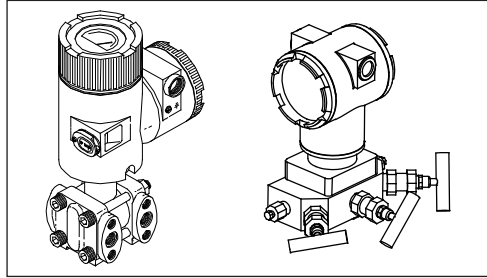


Figure 11. Typical Dp Transmitters

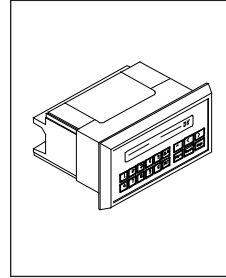


Figure 12. Flow Computer

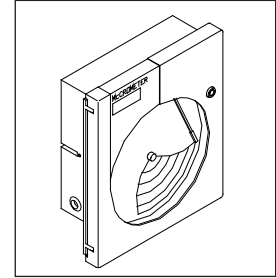


Figure 13. Chart Recorder

### 3.9 Meter Tag

Each V-Cone meter comes with an information tag fixed to the body of the tube. Below are examples of the standard tag and the tag showing PED Certification.

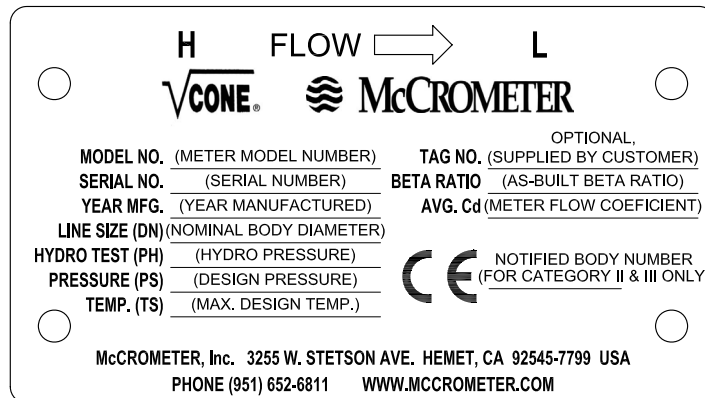
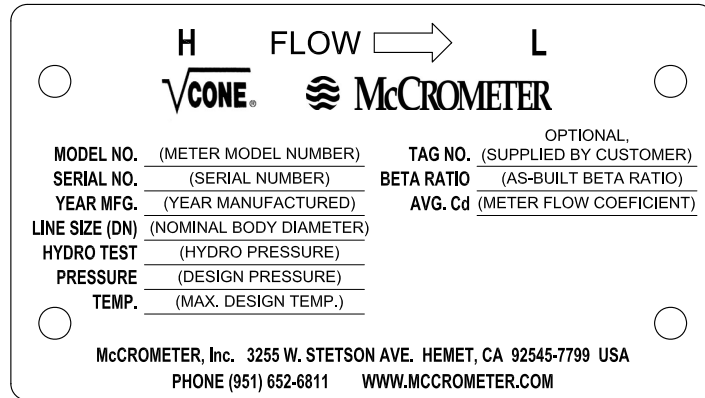


Figure 14. Examples of information tags

# 4.0 Installation



## 4.1 Scope

This section provides recommendations for impulse tubing connections allowing the differential pressure generated by the V-Cone to be transmitted to the secondary device, normally a Differential Pressure Transmitter. The connection methods are designed to minimize errors in the pressure signal.

## 4.2 Safety

The differential pressure signal must be transmitted in a safe manner, within piping, tubing, or the manifold block, to the secondary device. The fluid between the primary and secondary device must be safely contained. Safe containment of the fluid requires strict adherence to the applicable standards and codes, proper materials selection, including the gaskets, and acceptable fabrication methodology.



**WARNING!** When installing the impulse lines in the high and low pressure taps, NEVER use dissimilar metals as this can cause corrosion and the rupture of the impulse line and can cause serious injury or death.

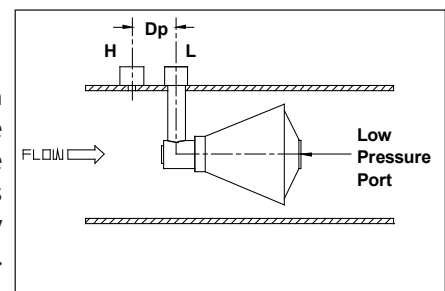
- Any person installing, inspecting, or maintaining a McCrometer flowmeter should have an understanding of piping configurations and systems under pressure.
- The high and low pressure ports and/or optional instrumentation ports may be fitted with plastic thread protector plugs. These must be removed prior to pressurizing the system. Failure to do so may result in serious injury.
- Before adjusting or removing any meter, be certain the system has been depressurized completely. Never attempt to remove a meter under pressure!
- Be careful when lifting meters. Meters can cause serious injury if lifted incorrectly or dropped.
- Use only necessary and appropriate tools when working on a meter.
- Properly secure all connections before starting a system. Keep a safe and prudent distance away from the meter during system start-up.
- Meters used in oil & gas or flammable service require a ground wire connection to arrest any static electricity discharge.

## 4.3 Unpacking

McCrometer tests and inspects all products during manufacture and before shipment. However, inspect the meter and accessories at the time of unpacking to detect any damage that might have occurred during shipment. If there is a question regarding the paperwork or the flowmeter, please contact your McCrometer representative.

## 4.4 Orientation

A flow label is placed on each V-Cone to show the direction of flow through the meter. For most line sizes, the centerline of the pressure sensing taps are located 2.12" apart. The high pressure tap is upstream. The low pressure tap is downstream. (See Figure 15.) This information is necessary when connecting the differential pressure measuring device.



**Figure 15. High and Low Ports**

## 4.5 Piping Specification

The pipe, tubing, or manifold installed between the primary and secondary elements must comply with national and local standards, regulations, and codes of practice. A process piping specification will include the specification for the isolation valve (or block valve) closest to the primary element. The specification for the piping or tubing between this isolation valve and the secondary device, including any additional valves, may differ from the piping specification for the root (primary) isolation valves. The smaller size and lower temperatures in the impulse lines often justify these differences.

An approved hydrostatic test or pneumatic test may be required for piping systems to prove the integrity of the pressure containing parts of the system.

The break (change) in piping specification between the process (primary) and the instrument (secondary) side is normally at the process isolation valve (root valve) at its secondary connection end. If flanged, then the specification break will occur at the mating face of the secondary side flange.

## 4.6 Piping Requirements

The recommended straight, unobstructed pipe run upstream of a V-Cone is zero to three diameters. The recommended run downstream of a V-Cone is zero to one diameter. "Diameter" here refers to the nominal pipe size of the pipe run.

McCrometer, along with several independent testing facilities, has tested the V-Cone in several common piping configurations. These tests have proven the V-Cone to be within accuracy specifications even when close coupled with single 90° elbows or double 90° elbows out-of-plane. The V-Cone can also be used in lines slightly larger than the meter tube.

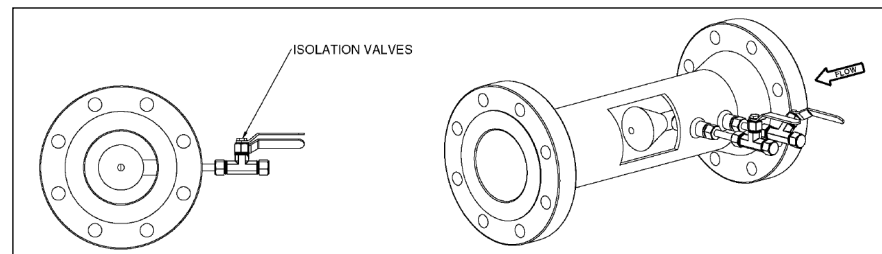
In applications where the meter tube is larger than the adjacent line, such as with cement lined piping, the user should consult the factory for additional installation requirements.

## 4.7 Isolation (Block) Valves

To provide best maintenance access of the impulse piping and secondary elements, it is recommended that root block valves be installed immediately adjacent to the pressure taps of the V-Cone. If liquid could fill the impulse lines, the root block valves should be arranged so as not to impede fluid movement and proper settling and it may be necessary to install these valves on sloping lines. When specifying root isolation valves, practical considerations include:

- a. The valve must be rated for the pipe operating pressure
- b. There must be a careful choice of both valve and packing, particularly in the case of dangerous or corrosive fluids, and with gases such as oxygen
- c. Valves must be chosen that do not affect the transmission of a pressure signal, particularly when that signal is subject to any degree of fluctuation.

Ball valves and gate valves are recommended for this application. Globe style block valves are **not** recommended for DP transmission lines.



**Figure 16. Isolation (Block) Valves**

## 4.8 Valve Manifolds

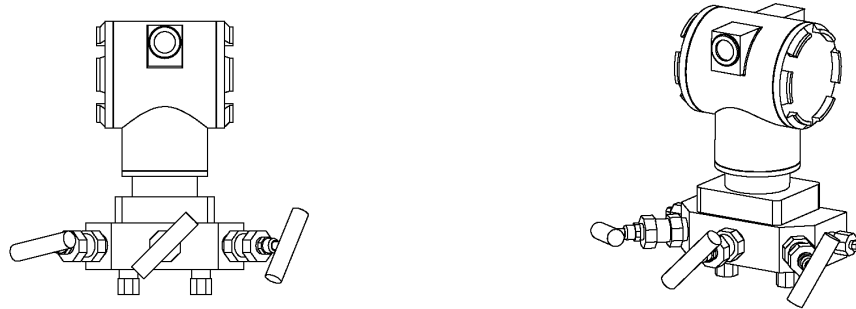
Valve manifolds are often installed to permit operating, calibrating and troubleshooting the secondary device, without removing it. A typical valve manifold configuration is shown in Figure 17.

These manifolds are used:

- a. To isolate the secondary device from the impulse lines
- b. To open a path (bypass) between the high and low pressure sides of the secondary device. The secondary device zero (no flow signal) can be adjusted at operating pressure with one block valve closed and the bypass valve(s) open.

- c. To drain or vent the secondary device and/or the impulse piping to atmosphere.
- d. A 5 way manifold can be used to provide connection of the secondary device to a “dead weight” or other reference calibrator to enable “in situ” calibration of the differential pressure device.

Manufactured valve manifolds may reduce cost and save space by integrating the required valves and connections into one assembly. Valve manifolds must be installed in the orientation specified by the manufacturer to avoid possible errors caused by trapped pockets of gas or liquid in the body.



**Figure 17. A 3-way Manifold Block mounted with a DP Transducer**

## 4.9 Installation

The preferred design will minimize the distance between the primary and secondary devices, while still providing the necessary cooling for the protection of the secondary device in applications, such as steam. The connecting piping is commonly referred to as “impulse lines”, “sensing lines”, “gauge lines”, “instrument tubing”, “instrument piping”, or “DP piping”.

The complete design for the installation of the flow meter including the secondary elements should consider instrument troubleshooting and calibration. Access to the impulse lines, the valves, the valve manifold, and the secondary device will be required. Installations providing this access must not compromise the measurement accuracy by adding excessively long impulse lines and numerous fittings.

**NOTE: Impulse piping should be kept as short as possible for accurate measurement.** Longer and more complex piping may increase uncertainties and provide more opportunities for plugging. Plugged lines lead to loss of control and may create hazardous situations. Good design practice will allow for natural draining of liquids and venting of gases from the impulse lines.

**Note: As a general rule liquids fall and gases rise and this determines the orientation of pipework.**

Any difference in elevation between the primary device pressure taps and the secondary device will result in a pressure difference between the two ends of the impulse lines due to the hydrostatic pressure of the liquid column in the impulse lines. The impulse lines shall be installed in such a way that the hydrostatic pressure in the two impulse lines is identical. If the fluids in the two lines are not identical in density, a difference in pressure is generated. Density differences will arise if there is a temperature difference between the fluids in the two impulse lines. It is recommended that, if possible, the two impulse lines are fastened together, and if insulated, they are insulated together. Non-identical fluids in the two impulse lines can also give rise to density differences and should be avoided.

## 4.10 Pressure Taps

The pressure tap is part of the primary device. The line pressure, required for the calculation of flow rate, is measured from the upstream pressure tap.

#### 4.11 Remote Seals or Chemical Seals

In very dirty services, pre-filled physical barrier diaphragm seals, called remote seals or chemical seals, can be used. Deflection of the diaphragm requires some additional force that must be considered in the calibration process. For most DP meters, diaphragms add significant uncertainty to the meter reading.

Errors are reduced with larger diaphragms and good design. To ensure measurement sensitivity, diaphragms are typically 3" or 4" (80 or 100 mm) in diameter. It is recommended that the impulse lines or capillary tubes to remote seals be of identical length and be arranged to reduce exposure to different temperatures

#### 4.12 Impulse Line: General

The required diameter of impulse lines depends on service conditions. The bore should not be smaller than 1/4" (6 mm) and should preferably be at least 3/8" (10 mm). The internal diameter shall preferably not exceed 1" (25 mm). For steam applications 3/8" (10mm) to 1" (25mm) should be used. Most instrument tubing is 316 SS but for offshore applications Duplex Steel may well be the preferred material to avoid salt spray corrosion of the piping.

**Note:** In all cases, chemical compatibility with the environment and process medium is paramount.

#### 4.13 Impulse Line: Process Industries

In most process control applications, the primary concern is reliability. If the pressure taps or the impulse lines plug, then the DP signal is lost. This may result in a dangerous or expensive loss of control. High reliability is required for flow signals used in process safety management. A minimum I.D. of 5/8" (16 mm) is recommended in industrial applications. Some users even specify 3/4" (18 mm) as the minimum I.D. For high temperatures in condensing vapor service, 1" (25 mm) is specified to allow for unimpeded flow of condensate. In small piping and with clean fluids, appropriate smaller sizes may be used. In all configurations, it is recommended that stainless steel impulse lines are used.

#### 4.14 Impulse Line: Steam Applications

Steam temperatures could be as high as 1500° F (815° C), which is much higher than can be tolerated by a standard DP transmitter. The standard differential pressure transducer can only tolerate a temperature of approximately 200° F (93° C). To isolate the transducer from the very high temperatures the common techniques are to install a condensate pot in the line or to have a sufficiently long DP leg to allow for sensing leg cooling prior to the transmitter. In all configurations, it is recommended that stainless steel impulse lines are used.

**To ensure that the DP transmitter is not exposed to excessive temperatures the impulse line length needs to have a length such that the temperature is below 200° F (93° C) at the transducer. A guideline to achieve that is to work on the basis of a temperature drop of 100° F (38° C) per foot (305mm) of impulse piping. However, the operator must ensure that for the particular local set of conditions the required temperature at the transmitter is achieved.**

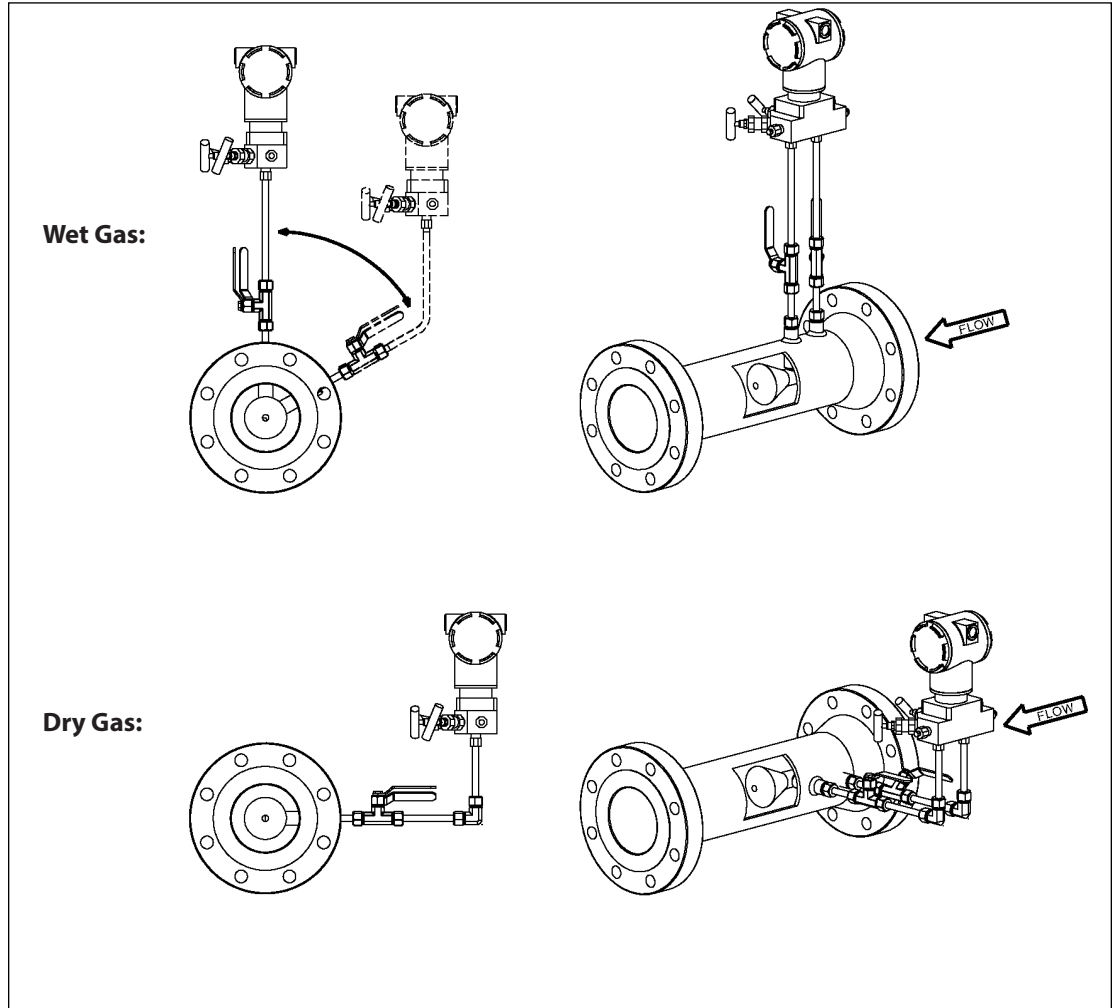
#### 4.15 Insulation

Some hot or very cold lines require thermal insulation for personnel protection. It may also be necessary to insulate and "heat trace" the impulse lines to avoid freezing or unintended condensation. The amount of heat used must avoid the undesired vaporizing of liquids in liquid filled lines, or the prevention of condensation with condensable vapors. Bundling the impulse lines together so that the impulse lines will be at approximately the same temperature is preferred. Having the DP transmitter in a temperature controlled Instrument Housing is good practice for accurate metering in an environment exposed to large temperature variations such as an offshore platform or a desert site.



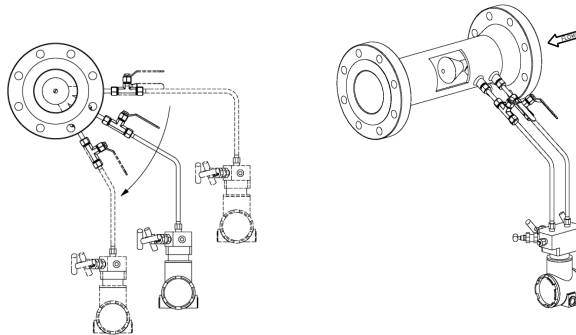
**4.16 Horizontal Piping Installations: Gas**

The pressure taps on the primary device shall be between the horizontal centerline and the top of the pipe (3 o'clock to 12 o'clock or 9 o'clock to 12 o'clock) unless the measured fluid is a vapor which is intended to condense in the secondary system (see section 4.19). However, if the fluid is a "wet gas", i.e. a gas containing small quantities of liquids, the taps should be vertical if possible to allow the liquids to drain away from the secondary device. The connecting lines from the primary device to the secondary device shall slope upwards for gases. The recommended slope for self-draining is a minimum of 30°.


**Figure 18. Horizontal Piping Installation for Gas Application**

## 4.17 Horizontal Piping Installations: Liquids

The pressure taps shall be between horizontal centerline and 60° below centerline (3 o'clock to 5 o'clock or 7 o'clock to 9 o'clock). Taps at bottom dead-center may accumulate solids if they are present in the liquid; taps above the centerline will accumulate air or non-condensing gases. In neither case should the taps be more than 60° to the horizontal plane.



**Figure 19. Horizontal Piping Installation for Liquid Application**

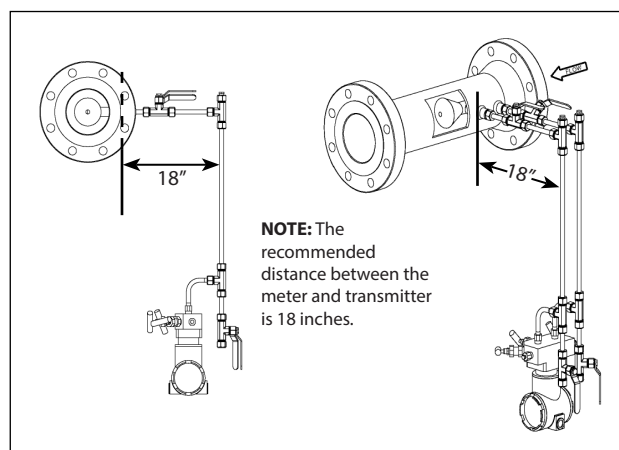
## 4.18 Horizontal Piping Installations: Condensing Vapors

This is the most difficult application for DP piping and requires careful consideration during installation. Steam can be at a very high temperature which can damage the transmitter; in addition, it can be in the liquid or gaseous phase depending on temperature and pressure. As such, the DP pipework must be oriented in such a manner that it can operate with a gas or liquid present.

The pressure taps shall be on the horizontal centerline (3 o'clock or 9 o'clock) of the primary device. In condensing hot vapor service, such as steam, the fluid in the impulse lines is liquid condensed from the vapor. In this case the pressure taps should be horizontal with the impulse lines oriented to the DP transmitter, in accordance with Figure 20.

There is a concern that at start-up the secondary device could become exposed to the vapor temperature before the lines fill with condensed liquid and cool. In this case it is prudent to have a plugged Tee fitting in the impulse line to enable the impulse line and secondary device to be filled with liquid (water for steam service) prior to start up (see Figure 20).

Cryogenic (very low temperature) systems may require special designs not considered here. The liquids in the lines will isolate the secondary device from the temperatures of the primary flowing fluid. The temperature difference may be considerable over a short distance of 100 mm (4") to 200 mm (8").



**Figure 20. Horizontal Piping Installation for Condensing Vapor Application (e.g. Steam)**

## 4.19 Vertical Piping Installations: General

In the case of vertical pipes there are generally no problems regarding the radial position of pressure taps. With the V-Cone care must be taken in the piping arrangement for vertical up flow and for vertical down flow. In this section vertical down flow and vertical up flow will be separated.

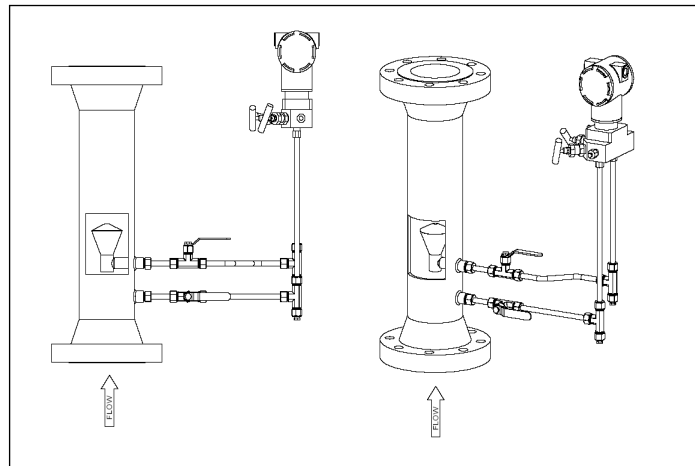
**Note: It is generally more difficult to arrange the impulse piping in Vertical piping systems to avoid gas trapped in liquid DP lines or liquid trapped in gas DP lines.**

## 4.20 Vertical Piping Installations: Up Flow

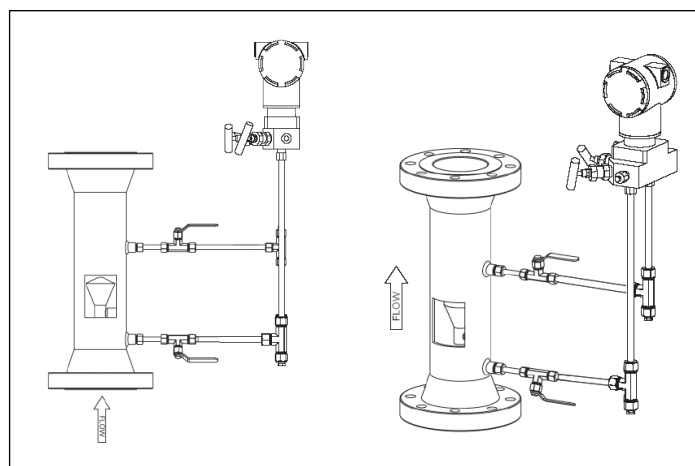
In this orientation extreme care must be exercised to ensure that no trap forms in the downstream tap, such that no gas is trapped in a liquid, or that no liquid is trapped in a gas. In applications where there is dirt or moisture, such as with steam, it is necessary to install wall taps on a V-Cone Meter in vertical up flow.

## 4.21 Vertical Piping Installations: Gas

In clean dry non-condensing gases, where it is guaranteed that no liquid or dirt can fill the cone, standard taps can be used. The position of the transmitter is not critical. The transmission lines can be run straight out to the transmitter or horizontal and then up or down to the transmitter.



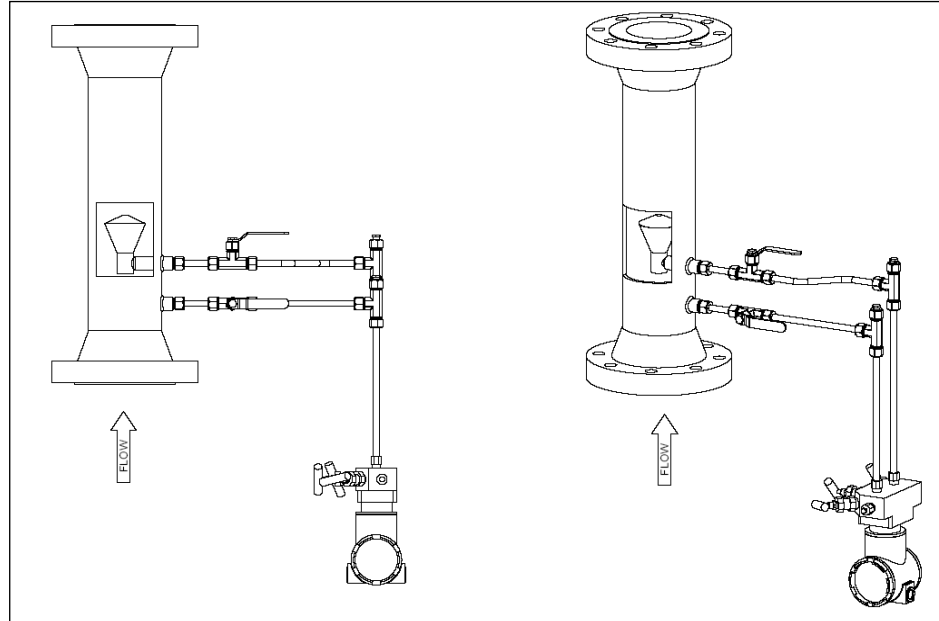
**Figure 21. Vertical Up Flow Piping Installation for Dry Clean Gas Applications**



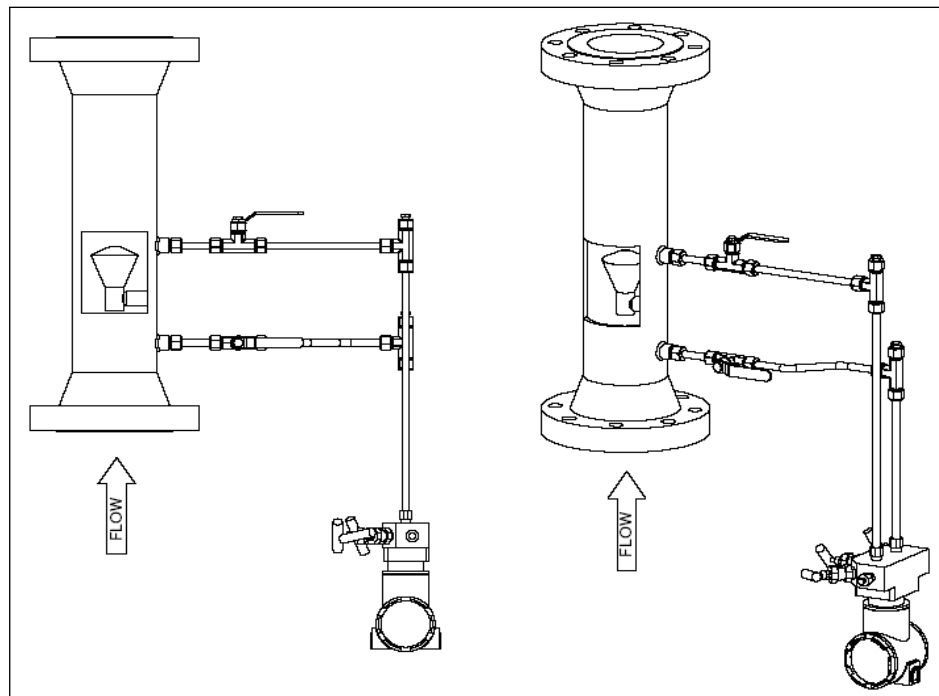
**Figure 22. Vertical Up Flow Piping Installation for Wet or Dirty Gas Applications (Wall Taps)**

## 4.22 Vertical Piping Installations: Liquids

In most process applications the assumption should be made that there can be gas or vapor associated with a liquid even if the liquid is water. Consequently the piping must permit gas to rise back into the flowing medium. The DP piping should be brought out horizontally for as short a distance as possible and then down to the transmitter and the transmitter should be below both taps. Note: wall taps must be used for dirty liquids. Standard taps should only be used on clean liquids.



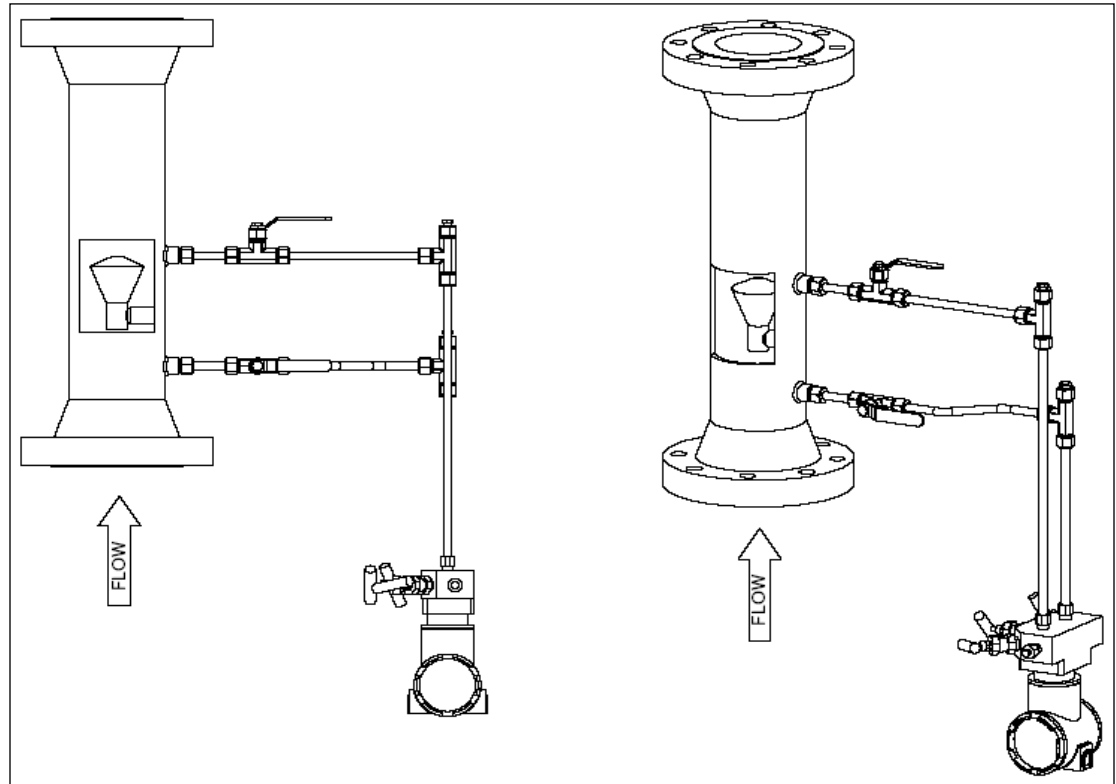
**Figure 23. Vertical Up Flow Piping Installation for Clean Liquid Application**



**Figure 24. Vertical Up Flow Piping Installation for Dirty Liquid Application (Wall Taps)**

#### 4.23 Vertical Piping Installations: Condensing vapors, i.e. steam

With condensing vapors, using wall taps is strongly recommended. This prevents condensate from building up in the cone or evaporating and changing the DP. The impulse lines are taken out horizontally to a "T". This distance should be a minimum of 18" for saturated steam; and for superheated steam it should be long enough to reduce the temperature to below the saturation temperature. The "T" enables a plug to be installed at the top for liquid filling purposes to avoid overheating of the DP cell. The manifold block will be placed directly below at a distance compatible with maintaining the DP transmitter at a safe operating temperature.



**Figure 25. Vertical Up Flow Piping Installation for Condensing Vapor Application (e.g. steam)**

#### 4.24 Calibration Compensated Installation

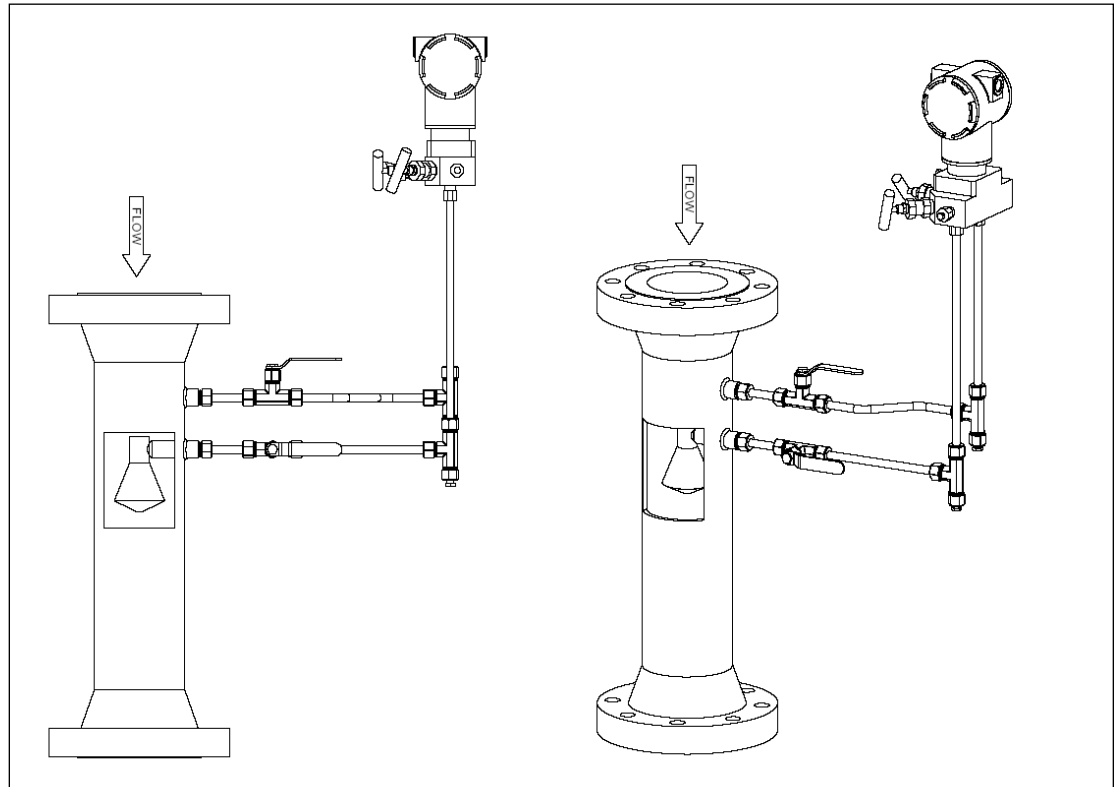
The two impulse lines leave the pipe horizontally and then turn down to the secondary device. The zero of the secondary device must be adjusted to account for the difference in heights of the two impulse lines and the contained liquid. The vertical legs should be filled manually and completely. Do not let the process fill these legs.

#### 4.25 Vertical Down Flow Piping Installations: General

In this orientation extreme care must be exercised to ensure that no trap forms in the downstream tap, such that no gas is trapped in a liquid or that no liquid is trapped in a gas. In some instances it is necessary to install wall taps on a V-Cone Meter in vertical down flow.

**4.26 Vertical Down Flow Piping Installations: Gas**

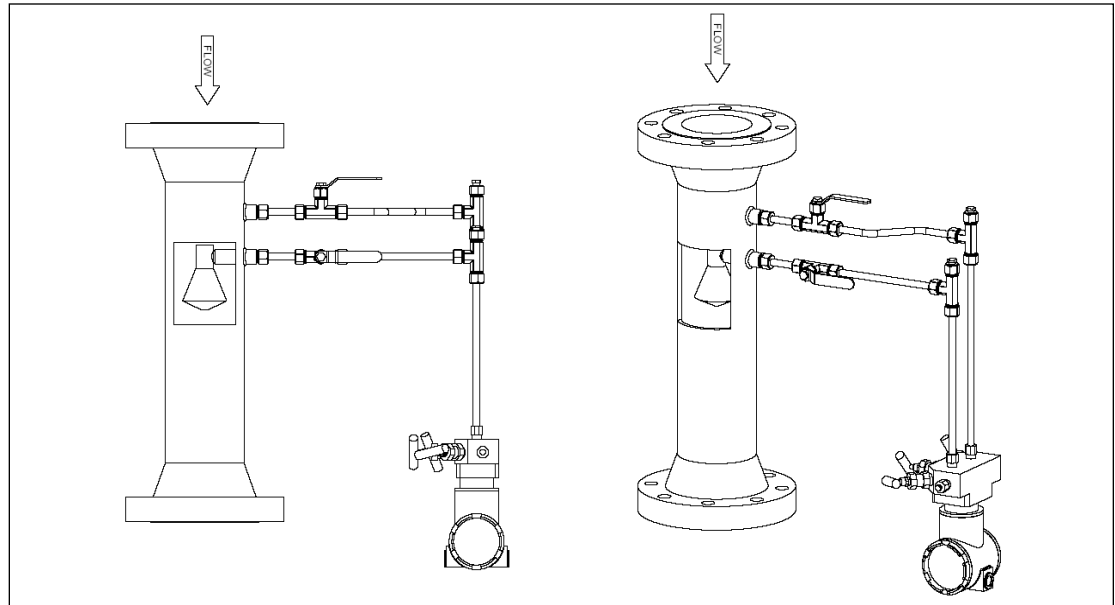
In dry non-condensing gases where there is no chance of condensate forming in the transmission lines, run the transmission lines horizontal and then up to the transmitter.



**Figure 26. Vertical Down Flow Piping Installation for Dry Gas Application**

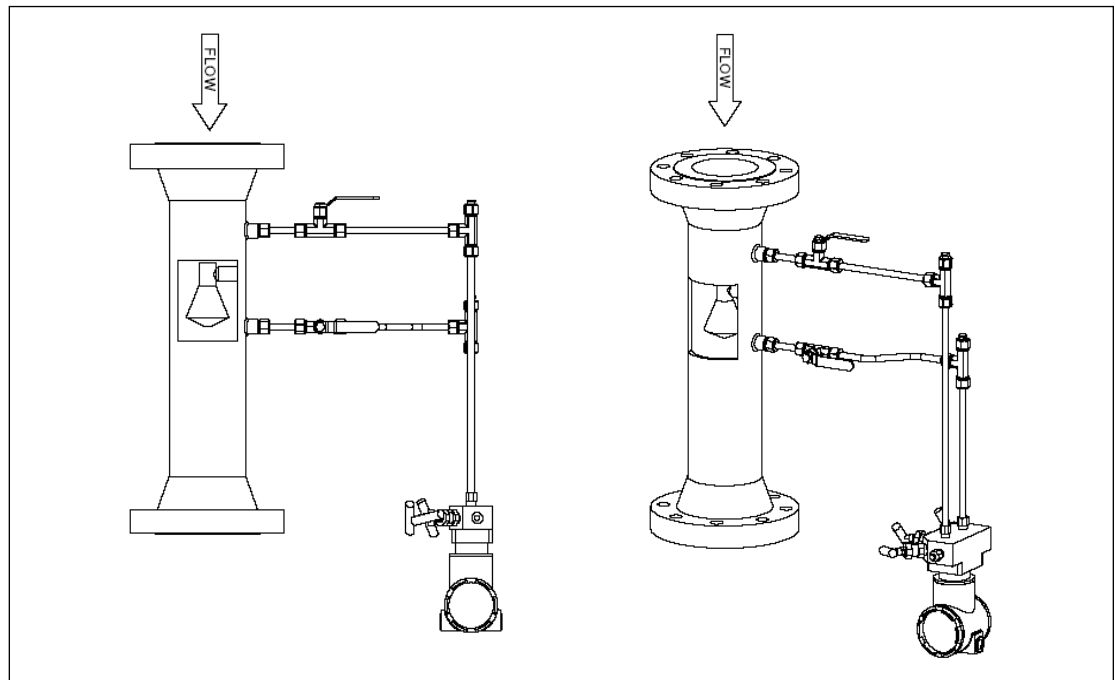
## 4.27 Vertical Down Flow Piping Installations: Liquids

Standard taps are not recommended with liquids with even small quantities of gas present. Wall taps should be used for such applications.



**Figure 27. Vertical Down Flow Piping Installation for Liquid Application without Entrained Air/Gas**

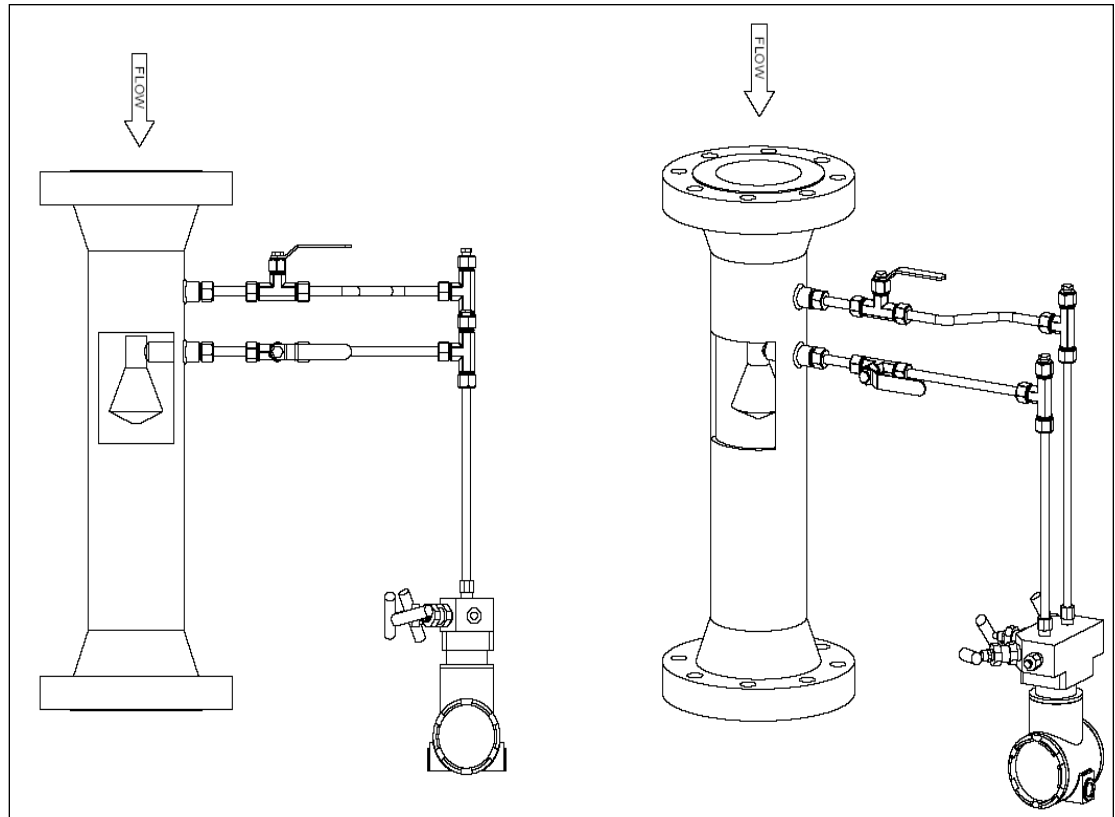
**NOTE: This configuration is NOT recommended for applications with ANY entrained gas**



**Figure 28. Vertical Down Flow Piping Installation with Wall Taps for Liquid Application with Entrained Air/Gas**

## 4.28 Vertical Down Flow Piping Installations: Condensing Vapors, i.e. Steam

The upper impulse line is taken out horizontally to a "T" piece. The "T" piece enables a plug to be installed at the top for liquid filling purposes to avoid overheating of the DP Cell. The temperature at the "T" piece should be below the saturation point. The manifold block will be placed directly below at a distance compatible with maintaining the DP transmitter at a safe operating temperature.

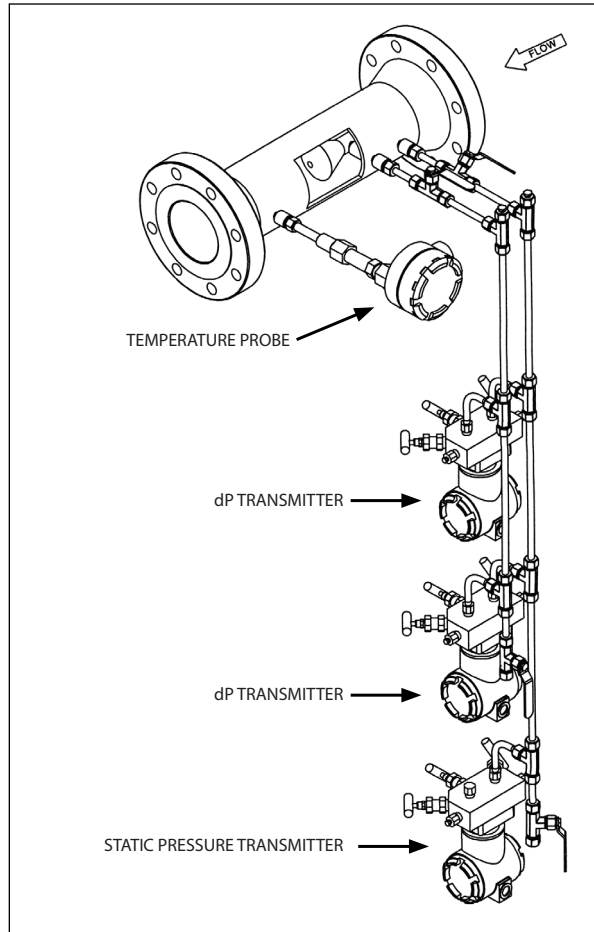


**Figure 29. Vertical Down Flow Piping Installation for Condensing Vapor Application (e.g. Steam)**



**4.29 Supporting Manifold Blocks and Dual Transmitters**

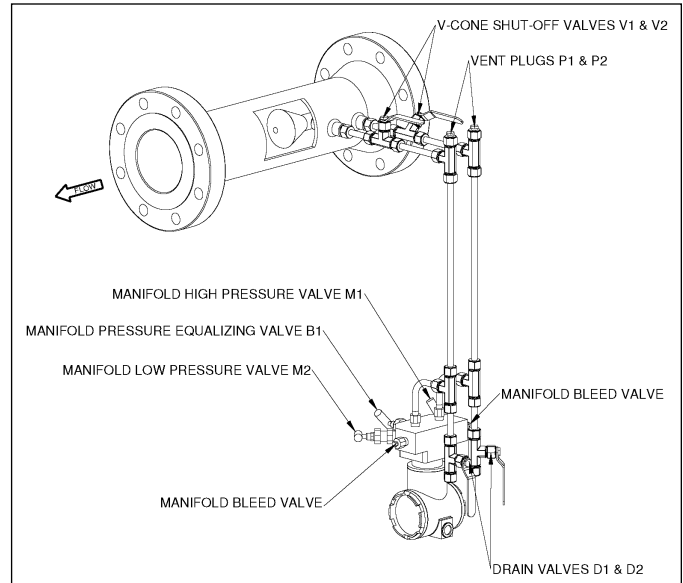
When flow turndowns exceed 10:1, two transmitters of different ranges would be required to obtain a very accurate measurement. The drawing below illustrates how this would be done where the DP piping comes from above. The complete unit could be inverted for installations where the Transmitter would be mounted above the V-Cone meter. Each transmitter should be supported. A common practice is to secure the transmitters to a 2" (50mm) pipe via mounting brackets.



**Figure 30. Dual DP Transmitters Mounting Technique**

## 4.30 Zeroing DP Pressure Transmitters Following Installation For Steam Flow Applications

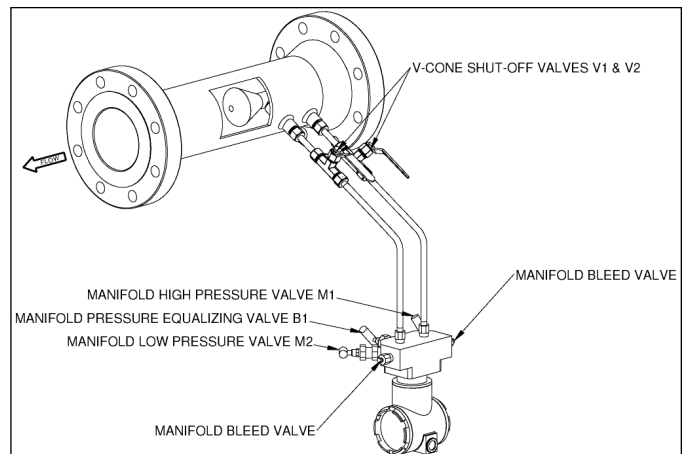
1. Close the high and low pressure V-Cone shut-off valves (V1 & V2)
2. Remove vent plugs P1 and P2.
3. Fill impulse lines with clean water/glycol solution by pouring through P1 & P2.
4. With impulse lines filled, adjust transmitter gauge pressure to read zero.
5. Adjust transmitter DP to zero.
6. Replace and tighten vent plugs P1 and P2 and slowly open high and low pressure V-Cone shut-off valves V1 and V2.
7. Allow time for excess impulse liquid to drain back into V-Cone and for the system to stabilize. This may take several minutes. Verify that there are no leaks in the impulse line components and connections.



**Figure 31. Transmitter Calibration For Steam Application**

## 4.31 Zeroing DP Pressure Transmitters Following Installation For Ambient Temperature Liquid Applications

1. To remove any air in the lines, open manifold bleed valves until there is steady liquid flow with no air. Then close the bleed valves.
2. Close manifold valves M1 & M2.
3. Open manifold equalizing valve B1.
4. Zero DP transmitter.
5. Close manifold equalizing valve B1 and open manifold valves M1 & M2.

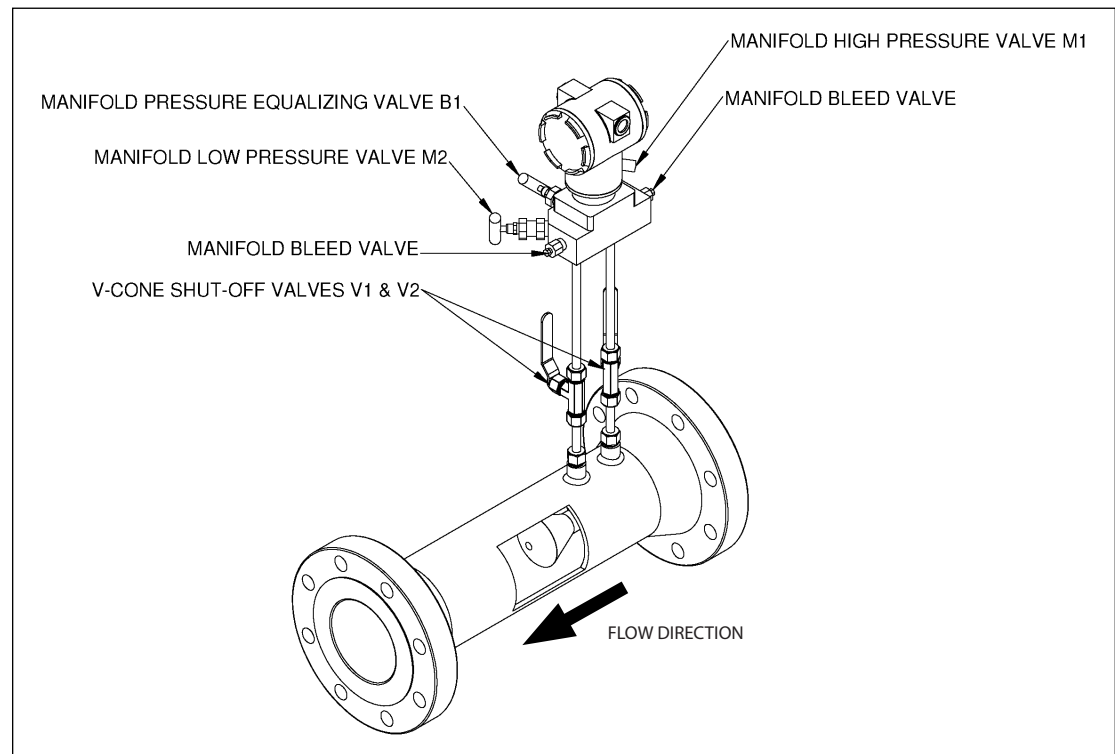


**Figure 32. Transmitter Calibration for Liquid Application**

### 4.32 Zeroing DP Pressure Transmitters Following Installation For Gas Applications

1. To remove any liquid in the lines, open manifold bleed valves until there is steady gas flow with no liquid. Then close the bleed valves.
2. Close manifold valves M1 & M2.
3. Open manifold equalizing valve B1.
4. Zero DP transmitter.
5. Close manifold equalizing valve B1 and open manifold valves M1 & M2.

The system is now operational with the DP transmitter zeroed at line pressure.



**Figure 33. Transmitter Calibration for Gas Application**

### 4.33 Zeroing Low Range Transmitters

When zeroing low range transmitters (example 25"), you may need to zero more than the transmitter will allow. Some transmitters will not let you zero more than 10% of full scale. With vertical steam meters you may have to zero 8" to 15". If you can't zero, you must re-range your transmitter. Example: The required span is 0 to 17". With the cold legs full and open to atmosphere, your transmitters shows a negative DP (-10").

- Span the transmitter with 4 mA equal to the value above (-10").
- Span the transmitter with 20mA equal to the original span 17" less the negative offset (example:  $17" - 10 = +7"$ )
- This will give you a 4 to 20mA signal equal to 0 to 17".

#### 4.34 Differential Pressure Measurement

With current technology the differential pressure is normally measured with a differential pressure transmitter. These transmitters may simply record the differential pressure and provide a 4-20mA signal to a flow computer or to DCS system.

McCrometer does not show any preference to the differential pressure transducer manufacturer. However, McCrometer has worked with the transducer suppliers which produce intelligent devices which require the V-Cone algorithms to generate a flow rate rather than a differential pressure output. Such cooperation has taken place with Foxboro and Rosemount.

**Note: It is absolutely essential that the DP transducer is ranged for the specific V-Cone meter. Each meter will produce a range of differential pressure and the transducer must cover that range e.g. a V-cone with a max. flow producing 230 inch water column would use a 250 inch or 300 inch DP transducer and would be spanned for 230 inches. The DP transducer must also be selected for the operating pressure and temperature of the metering application. It is also necessary that the DP transducer will cover the lower range of the DP produced accurately. DP transducers are notoriously inaccurate at the bottom end of the range. For flow ranges over 10:1, stacking transmitters is recommended. Stacking transmitters is a system with two transmitters where one measures the low DPs and the other measures the high DPs.**

#### 4.35 Temperature And Pressure Measurement

In the flow measurement calculation for all DP devices it is necessary to include the temperature and pressure measured upstream of the meter. For accurate temperature measurement for orifice metering, (which are very susceptible to upstream disturbances from items such as thermo wells), it has been necessary to install the thermo well downstream and make a correction to the upstream condition. In the case of V-Cone meters, which are always calibrated and have very little influence by upstream disturbances, the thermo well can be located upstream of the cone and the meter calibrated with the thermo well in position. Not all users measure the temperature via a thermo well, and for stable temperature conditions there has been an increasing tendency to install a thermocouple or temperature probe on the outside of the upstream piping and cover it with insulation.

# 5.0 Dimensions

## 5.1 Face To Face Dimensions

Please reference the V-Cone configuration sheets for more complete technical data.

Size	Beveled Threaded Plain		ANSI 150,300 Slip On JIS 10K DIN 2576 ANSI 125		Slip On ANSI 600-900		Weld Neck ANSI 150		Weld Neck ANSI 300		Weld Neck ANSI 600	
	inch	mm	inch	mm	inch	mm	inch	mm	inch	mm	inch	mm
½	7.75	197	8	203	8	203	11.38	289.1	11.75	298.5	12.25	311.2
¾	7.75	197	8	203	8	203	11.75	298.5	12.13	308.1	12.63	320.8
1	7.75	197	8	203	8	203	12.00	304.8	12.50	317.5	13.00	330.2
1½	9.75	248	10	254	12	305	14.38	365.3	14.88	378.0	15.50	393.7
2	11.63	295	12	305	14	356	16.38	416.1	16.88	428.8	17.63	447.8
2½	11.50	292	12	305	14	356	16.75	425.5	17.25	438.2	18.00	457.2
3	13.50	343	14	356	16	406	18.75	476.3	19.50	495.3	20.25	514.4
4	15.50	394	16	406	18	457	21.25	539.8	22.00	558.8	23.75	603.3
5	21.50	546	22	559	26	660						
6	21.50	546	22	559	26	660	28.25	717.6	29.00	736.6	31.00	787.4
8	25.25	641	26	660	30	762	33.00	838.2	33.75	857.3	36.00	914.4
10	27.25	692	28	711	34	864	35.00	889.0	36.25	920.8	39.50	1003
12	29.25	743	30	762	36	914	38.00	965.2	39.25	997.0	41.75	1060
14	29	737	30	762	34	864	38.75	984.3	40.00	1016	42.25	1073
16	29	737	30	762	34	864	38.75	984.3	40.25	1022	43.25	1099
18	31	787	32	813	36	914	41.75	1061	43.25	1099	45.75	1162
20	35	889	36	914	40	1016	46.13	1171	47.50	1207	50.25	1276
24	47	1194	48	1219	54	1372	58.75	1492	60.00	1524	63.25	1607
30	59	1500	60	1524								
36	59	1500	60	1524								
48	71	1803	72	1829								
60	71	1803	72	1829								

## 5.2 Face To Face Dimensions

Size	Weld Neck ANSI 900		Wafer ANSI		Wafer DIN, JIS	
	inch	mm	inch	mm	inch	mm
½	12.88	327.2	2.25	57.2	2.36	60
¾	13.63	346.2	2.25	57.2	2.36	60
1	13.88	352.6	2.25	57.2	2.36	60
1½	16.50	419.1	3	76.2	3.15	80
2	19.88	505.0	3.38	85.9	3.35	85
2½	20.00	508.0	4	101.6	3.94	100
3	21.75	552.5	4.75	120.7	4.72	120
4	24.75	628.7	6	152.4	5.91	150
6	32.75	831.9	9.5	241.3	9.45	240
8	38.25	971.6				
10	42.00	1067				
12	45.25	1149				
14	46.00	1168				
16	46.25	1175				
18	49.25	1251				
20	54.75	1391				
24	70.25	1784				

# 6.0 Model Selections

## 6.1 Wafer-Cone® Model Template

Examples:

Model	Description
VH01-A1SN3	Wafer-Cone 1" line size, S316, ANSI Style, 1/8" NPT Ports, Serrated Face
VH01-A2SN3	Wafer-Cone 25mm line size, S316L, DIN 2633 Style, 1/8" NPT Ports, Serrated Face

VH	Size		Materials		Body Style		Bore		Ports		Face Style	
	Code	Line Size	Code	Material	Code	Description	Code	Description	Code	Description	Code	Description
	<b>01</b>	1"	<b>A</b>	<b>S316L</b>	<b>1</b>	ANSI CL 150 to 2500	<b>S</b>	<b>Standard</b>	<b>N</b>	<b>NPT</b>	<b>1</b>	O-Ring
	<b>0C</b>	1½"	X	Other Mat. †	2	DIN 2633	X	Other	J	RC	2	Serrated
	<b>02</b>	2"			3	DIN 2635			X	Other	3	Other
	<b>0D</b>	2½"			4	JIS 10k					X	
	<b>03</b>	3"			X	Other Style						
	<b>04</b>	4"										
	<b>05</b>	5"										
	<b>06</b>	6"										

**NOTES:**

Bold items in table above are standard construction.  
Combinations of two different materials can also be specified.

## 6.2 Precision Tube V-Cone Model Template

Examples:

Model	Description
VS06QE04N	V-Cone 6" S304 S40 W/ ANSI CL 300 Flanges
VB24SD00N	V-Cone 24" Coated Carbon Steel w/ Beveled Ends

Materials continued on next page.

Flange Type		Line Size		Materials		Schedule	
Code	Description	Code	Desc.	Code	Description	Code	Desc.
VS	(Slip On)	0A	0.5"	U	(CS Pipe & Flg, S304/L Cone, supports & Cplg, final prep must be specified)	D	Std
VW	(RF WN)	0B	0.75"	W	(CS Pipe, Flg & Cplg, S304/L Cone & support, final prep must be specified)	E	S40
VR	(ANSI RTJ WN)	01	1"	F	(CS Pipe, Flgs & Cplg, S316/L Cone & support, final prep must be specified)	F	S80
VB	(Beveled)	0C	1.5"	G	(LTCS Pipe, Flg & Cplg, S316/L cone & support, final prep must be specified)	J	S100
VT	(NPT)	02	2"	S	(CS Pipe, Flg & Cplg, S304/L Cone & support, Epoxy Blue Coating)	K	S120
VP	(Plain End)	0D	2.5"	Q	(All S304/L)	L	S140
VC	(DIN SO)	03	3"	A	(All S316/L)	G	S160
VD	(DIN WN)	04	4"	Y	(All S304H)	H	XXS
VJ	(JIS SO)	05	5"	Z	(All S316H)	P	XS
VN	(JIS WN)	06	6"	N	(S304 Body, Cone, support & Couplings, CS Flanges Painted HT Silver)	Q	S60
VG	(Hub)	08	8"	D	(Duplex S31803)	R	S30
		10	10"	J	(Super Duplex S32760)		
		12	12"	H	(All Hast C276)		
		Up to 120"		K	(CS Body C276 Cone & Supports)		
				C	(P11 Chrome-Moly S316/L Cone & Supports)		
				P	(P22 Chrome-Moly S316/L Cone & Supports)		
				O	(X52/F52 Body, S316/L Cone & Supports)		
				R	(X60/F60 Body, S316/L Cone & Supports)		
				M	(All Monel 400)		
				I	(All Inconel 625)		
				T	(All Titanium)		

## 6.2 Precision Tube V-Cone Model Template (continued)

Flange & Class	
Code	Description
00	VP Smooth Ends
01	VB Beveled Ends
02	VT Threaded Ends
03	VS SO ANSI CL 150 RF
04	VS SO ANSI CL 300 RF
05	VS SO ANSI CL 600 RF
06	VS SO ANSI CL 900 RF
07	VS SO ANSI CL 1500 RF
13	VC SO DIN 2576 PN10 FF
14	VW WN ANSI CL 150 RF
15	VW WN ANSI CL 300 RF
16	VW WN ANSI CL 600 RF
17	VW WN ANSI CL 900 RF
18	VW WN ANSI CL 1500 RF
19	VR WN ANSI CL 150 RTJ
20	VR WN ANSI CL 300 RTJ
21	VR WN ANSI CL 600 RTJ
22	VR WN ANSI CL 900 RTJ
23	VR WN ANSI CL 1500 RTJ
24	VD WN DIN 2633 PN16 RF
25	VD WN DIN 2635 PN40 RF
26	VJ SO JIS 10K
27	VJ SO JIS 20K
28	VN WN JIS 16K
29	VN WN JIS 20K
32	VR WN ANSI CL 2500 RTJ
33	VS AWWA SO FF CL B
34	VS AWWA SO FF CL D
35	VS AWWA SO FF CL E
36	VS AWWA SO FF CL F
37	VD WN DIN 2637 PN100 RF
39	VG Hub type
40	SO ANSI CL 150 FF
44	VP Victaulic Grooved Ends
45	VW WN B16.47 A 150# RF (MSS SP-44 150#)
46	VW WN B16.47 B 150# RF (API-605 150#)
48	SO DIN 2666 PN25 FF
49	VW WN ANSI CL 2500 RF
50	VW WN B16.47 A 300# RF (MSS SP-44 300#)
51	VW WN B16.47 B 300# RF (API-605 300#)
52	VR WN API 6A 10000# 6BX RTJ
53	VR WN API 6A 5000# 6BX RTJ

Process Connection (Standard Options)	
Code	Description
N	1/2" 3000# NPT Cplg
S	1/2" 3000# Soc Cplg
F	Futbol Flanges
J	1/2" RC 3000#
J2	1/2" 15A 3000#
J3	1/4" RC 3000#
V	1/2" NPT Outlet 800# Isolation Valve

OR

Process Connection (Non-Standard Options)			
Flanged Type (in line)			
Select One Code From Each Column			
Code	Connection Type	Code	Rating
A	1/2" Flg. Tap	A	ANSI 150# RF S80 Bore
B	3/4" Flg. Tap	B	ANSI 300# RF S80
1	1" Flg. Tap	C	ANSI 600# RF S160
C	1.5" Flg. Tap	D	ANSI 900# RF S160
2	2" Flg. Tap	E	ANSI 1500# RF XXS
		F	ANSI 2500# RF XXS
		G	ANSI 600# RTJ S160
		H	ANSI 900# RTJ S160
		I	ANSI 1500# RTJ XXS
		J	ANSI 2500# RTJ XXS

OR

Process Connection (Non-Standard Options)			
Coupling/Olet Type (in line)			
Select One Code From Each Column			
Code	Connection Type	Code	Rating
N	NPT Cplg/Olet	2	1/4" Cplg 3000#
S	Soc Cplg/Olet	3	1/2" Cplg 6000#
		4	3/4" Cplg 3000#
		5	1" Cplg 3000#
		6	1/2" Olet 3000
		7	1/2" Olet 6000#
		8	1/4" Cplg 6000#
		9	3/4" Cplg 6000#
		Z	3/4" Olet 6000#
		Y	3/4" Olet 3000#

## 6.3 V-Cone Special Models

Series {size} – {serially allocated number starting at 01}

Examples:

VW06-02

VS12-05

## 6.4 V-Cone Materials

‡ Construction materials can include the following:

S304 / S304L	MONEL K400/K500
S316 / S316L	S321H
HASTELLOY C-276	INCONEL 625
DUPLEX 2205	
CHROMEMOLY P22/P11	
CARBON STEELS A350, A333, API5L, A106B, A53B	

Combinations of two different materials can also be specified.

# 7.0 Maintenance

## 7.1 Periodic Maintenance

If the meter is installed correctly, there should be no reason for periodic maintenance or re-calibration. In extreme process conditions, periodically inspect the V-Cone for any significant physical damage. Calibrate and maintain secondary and tertiary instrumentation according to the manufacturer's instructions.

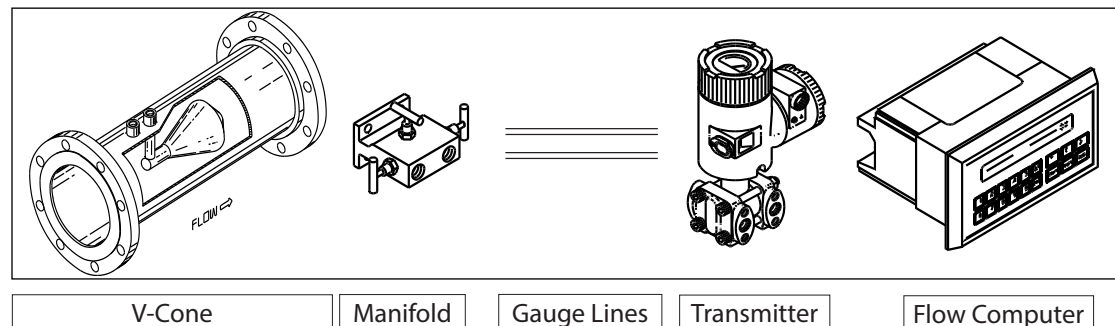
# 8.0 Troubleshooting

## 8.1 Troubleshooting A V-Cone System On-Site

This guide is intended to help you troubleshoot a V-Cone system. Keep several points in mind as you proceed:

1. Most V-Cones are calibrated devices. The meter has already had flow through it. If a cone is missing or a leak exists inside the meter, this would be discovered during the calibration.
2. A flow measurement requires a system. Do not assume a problem exists with the primary element just because it is called a V-Cone system. Most problems occur in the DP transmitter or the flow computer.
3. This guide assumes a simple system of meter, manifold, DP transmitter, and flow computer. Systems can be much more complex with pressure and temperature transmitters, as well as full scale digital control systems. Do not limit your evaluation to just these suggestions.
4. If you discover a problem / solution not listed in this guide, please contact a V-Cone Application Engineer at McCrometer: 1-951-652-6811.

This guide separates the flow measurement system into areas. These areas are labeled in the diagram below:



**Figure 34. System areas**

During troubleshooting, make a preliminary assessment of the symptoms of the problem and consult the following chart:

SYMPTOM	AREA	POSSIBLE PROBLEM / SOLUTION
No signal (0 mA)	Transmitter	No power to transmitter.
	Transmitter	Transmitter not wired correctly. Perform continuity check on wiring.
Negative signal (< 0 mA)	Transmitter	Transmitter wires are reversed.



SYMPTOM	AREA	POSSIBLE PROBLEM / SOLUTION
Low signal (<4 mA)	V-Cone	V-Cone installed backwards, with gauge lines attached as marked. In this case, the high pressure tap would be sensing a lower pressure than the low pressure tap. This negative DP would force the signal below 4 mA.
	Gauge lines	Gauge lines are reversed. Transmitter sees more pressure on low side than high side. Check "H" and "L" marks on V-Cone and transmitter.
	Transmitter	Transmitter is malfunctioning. Some transmitters will send a specified mA signal when a malfunction occurs. This can be set to low values, such as 3.8 mA, or high values, such as 20.1 mA.
Zero signal (4 mA)	V-Cone	Meter has been damaged. Remove meter and visually inspect.
	V-Cone	No flow in pipeline. Check other system locations to verify flow through the meter. The meter could be under pressure but still have no flow.
	Manifold	Manifold / gauge lines closed or blocked. Ensure valves and lines are open. If fluid is safe, open vent valves on transmitter to verify pressure in the gauge lines.
Zero signal (4 mA)	Transmitter	Transmitter is in check mode. Some transmitters allow for system checks by forcing the signal to 4 or 20 mA. Vent low side of transmitter to ensure the signal responds to pressure changes.
Wrong signal – high or low	V-Cone	Process conditions do not match actual conditions. Contact McCrometer or your sales representative to recalculate using the correct process conditions.
	V-Cone	Wrong meter. Verify serial numbers on meters to ensure correct specifications. Sometimes two meters are interchanged. Remember each V-Cone has a unique flow coefficient.
	Gauge lines	Foreign material trapped in gauge lines. Dirt and sediment can settle into the gauge lines. If the fluid is safe, vent the gauge lines and inspect for spurts of solids, gasses, or liquids (whichever should not be there). If the fluid is not safe, open the center manifold valve for several minutes under high DP. Close the valve and compare the signal level to before. In a horizontal, liquid application, install the meter with the taps on the sides of the pipe (3 or 9 o'clock) For a horizontal, gas application, install at top or sides of the pipe (12, 3, or 9 o'clock).
	Flow computer	Flow calculations are in error. Use loop calibrator and apply 4, 12, and 20 mA to computer / system. Each of these points should correlate with the V-Cone sizing information.
	Flow computer	mA signal is read incorrectly. Apply a known current to the loop and read the raw signal in the computer. Most computers allow the user to see the mA signal directly.
Unsteady signal	V-Cone	Partially full pipe occurring (liquids only). Periods with a partially full pipe will cause erratic readings. See above for details.
	Transmitter	Power supply not supplying enough power to create signal. Check power specifications for transmitter.
Slow response time	Transmitter	Dampening.
Sudden change in readings	V-Cone	Foreign object lodged in meter. This will increase the restriction of the meter and raise the DP. Remove the meter and visually inspect.
	Gauge lines	Leaks have started.

SYMPTOM	AREA	POSSIBLE PROBLEM / SOLUTION
Signal too high	V-Cone	V-Cone is installed backwards. Look for a flow direction arrow on the meter body, near the pressure taps. If no arrow is visible and the meter is large than 2 inches, the flow direction can be determined by the location of the pressure taps. The pressure taps will be closer to the upstream side. On meters less than 2 inches, the gauge lines will need to be removed. Look at the base of both pressure taps. One tap will be smooth at the base, the other will be mostly weld material. The smooth tap is on the upstream side. With a meter measuring backward flow, the DP signal will be approximately 30% too high.
	V-Cone	Flow is going in the opposite direction from what was expected. The assumption of flow direction is sometimes wrong. Verify with other system readings. With a meter measuring backward flow, the DP signal will be approximately 30% too high.
	V-Cone	Partially full pipe (liquids only). A partially full pipe will cause the meter to read too high. This can happen even in pressurized systems. <ul style="list-style-type: none"> <li>On horizontal pipes: If the fluid is safe, open a pressure tap on the top of the pipe. Air release will indicate partially full pipe.</li> <li>On vertical pipes: Up flow will guarantee a full pipe. Down flow is difficult to diagnose if the pipe is full.</li> </ul>
	V-Cone	Foreign object lodged in meter. This will increase the restriction of the meter and raise the DP. Remove the meter and visually inspect.
	Gauge lines	Leak on low pressure gauge line. Perform a leak check from the meter to the transmitter.
	Transmitter	Leak on low pressure vent valve. Perform a leak check on valve.
	Transmitter	Zero point has shifted positively. This will cause errors more pronounced at the low end of the transmitter range. Verify by closing the manifold side valves and opening the center valve. The reading should go to zero (4 mA). Recalibrate if necessary.
Signal too high	Transmitter	DP span is set too low. Use pressure calibrator or handheld communicator to verify span point.
	Transmitter / flow computer	Both the transmitter and flow computer are set to take the square root of the signal. The signal will be correct at 20 mA. The positive error will increase dramatically as the signal decreases from 20 mA. Use a loop calibrator to check 12 mA point.
	Flow computer	4 mA set to minimum flow. Our calculations assume that 4 mA will be equal to zero flow. Sometimes 4 mA is set to equal the minimum flow on the sizing page. This error will be zero at maximum flow and increase as the flow decreases. The amount of error will depend on the zero offset.
Signal too low	Manifold	Manifold is cross-vented. The center valve must be closed. To test, close the two side valves and watch the transmitter signal. If the signal goes to zero (4 ma), the center valve is not closed completely.
	Gauge lines	Leak on high pressure gauge line. Perform a leak check from the meter to the transmitter.
	Transmitter	Leak on high pressure vent valve. Perform a leak check on valve.
	Transmitter	Zero point has shifted negatively. This will cause errors more pronounced at the low end of the transmitter range. Verify by closing the manifold side valves and opening the center valve. The reading should go to zero (4 mA). Recalibrate if necessary.
	Transmitter	DP span is set too high. Use pressure calibrator or handheld communicator to verify span point.
	Transmitter / flow computer	Neither the transmitter nor flow computer is set to take the square root of the signal. The signal will be correct at 20 mA. The negative error will increase dramatically as the signal decreases from 20 mA. Use a loop calibrator to check 12 mA point.

**Recommended Equipment for Troubleshooting A V-Cone Installation On-Site:**

1. 4 to 20 mA loop simulator – highly recommended
2. Digital multimeter: with VDC, I, and Ω measurements
3. Pressure calibrator
4. Handheld Communicator for smart instruments
5. Hand tools: Screwdriver(+), Screwdriver (-), 12 inch crescent wrench, 4 inch crescent wrench

Some suggestions for equipment manufacturers and their products follow. A wide range of products is available. We do not necessarily endorse the following products or companies. Please choose a product that fits your needs and resources.

[www.fluke.com](http://www.fluke.com)



- 740 Series Documenting Process Calibrators
- 718 Pressure Calibrator
- 717 30G Pressure Calibrator
- 716 Pressure Calibrator
- 715 Volt/mA Calibrator
- 714 Thermocouple Calibrator
- 713 30G/100G Pressure Calibrator
- 712 RTD Calibrator
- 787 Process Meter (combination digital multimeter and loop calibrator)
- 705 Loop Calibrator

# 9.0

## V-Cone Literature

### 9.1 Configuration Sheets of Various V-Cone Models

Configuration Sheets:		Configuration Sheets:	
VB Beveled	24509-29	VC DIN Slip On	24509-42
VP Plain (smooth)	24509-30	VJ JIS Slip On	24509-44
VT Threaded	24509-31	VH Wafer-Cone	24509-51
VS Slip On Flanged	24509-32,33,34	VR RTJ Weld Neck	24509-40,41
VW Weld Neck	24509-35,36	VQ RTJ Slip On	24509-38
VD DIN Weld Neck	24509-47		

# 10.0

## Appendices

### 10.1 V-Cone Installation Guide: Upstream and Downstream Minimum Straight Pipe Run Recommendations

**Table 1: McCrometer Installation Recommendations**

For gas metering at a Reynolds number (Re) value > 200,000, and for  $\beta$  greater than or equal to 0.70 add 1D

Size Range	Obstruction	Up Stream	Down Stream
All Sizes	1 Elbow	1D	1D
	2 Elbows	1D	1D
	Tees	1D	1D
	Butterfly Valve (control valve)	Not Preferred Position	Valve Downstream 1D
	Butterfly Valve (shutoff valve)	2D	1D
	Full port Ballvalve (shutoff)	1D	1D
	Heat Exchanger (Depends on Type)	1D	0D
	Expander (0.67D to D) over a length of 2.5D	2D	1D
	Reducer (3D to D) over a length of 3.5D	0D	0D

Note: The meter and adjoining pipe should have equal IDs.

**Table 2: McCrometer Installation Recommendations**

For liquid metering and gases at a Reynolds number (Re) value less than or equal to 200,000, and for  $\beta$  greater than or equal to 0.70 add 1D

Size Range	Obstruction	Up Stream	Down Stream
All Sizes	1 Elbow	0D	0D
	2 Elbows	0D	0D
	Tees	0D	0D
	Butterfly Valve (control valve)	Not Preferred Position	Valve Downstream 1D
	Butterfly Valve (shutoff valve)	2D	0D
	Full port Ballvalve (shutoff)	0D	0D
	Heat Exchanger (Depends on Type)	0D	0D
	Expander (0.67D to D) over a length of 2.5D	2D	1D
	Reducer (3D to D) over a length of 3.5D	0D	0D

Note: The meter and adjoining pipe should have equal IDs.

**Table 3: ISO Installation Recommendations, as shown in ISO 5167, Part 5**

<b>Disturbance</b>	<b>Beta</b>	<b>Upstream (Measured from HP Port, Key 2)</b>	<b>Downstream (Measured from Beta Edge Key 3)</b>
<b>Single Bend, 6.2.2</b>	$0.45 \leq \beta \leq 0.65$	<b>3D</b>	<b>2D</b>
	$0.65 \leq \beta \leq 0.75$	<b>6D</b>	<b>2D</b>
<b>2 Bends Out of Plane, 6.2.3</b>	$0.45 \leq \beta \leq 0.65$	<b>3D</b>	<b>2D</b>
	$0.65 \leq \beta \leq 0.75$	<b>6D</b>	<b>2D</b>
<b>Concentric Expander 0.75D to D, 6.2.4</b>	<b>All</b>	<b>3D</b>	<b>2D</b>
<b>Partially Close Valves, 6.2.5</b>	<b>All</b>	<b>10D</b>	<b>2D</b>
<b>Fully Open Valves, 6.2.5</b>	<b>All</b>	<b>0D</b>	<b>2D</b>

Note: The upstream measurement is taken from the high pressure tap, not the upstream flange. The downstream measurement is taken from the cone beta edge, not the downstream flange.

**MANUFACTURER'S WARRANTY**

This Warranty shall apply to and be limited to the original purchaser consumer of any McCrometer product. Meters or instruments defective because of faulty material or workmanship will be repaired or replaced, at the option of McCrometer, Inc., free of charge, FOB the factory in Hemet, California, within a period of one (1) year from the date of delivery.

Repairs or modifications by others than McCrometer, Inc. or their authorized representatives shall render this Warranty null and void in the event that factory examination reveals that such repair or modification was detrimental to the meter or instrument. Any deviations from the factory calibration require notification in writing to McCrometer, Inc. of such recalibrations or this warranty shall be voided.

In case of a claim under this Warranty, the claimant is instructed to contact McCrometer, Inc. 3255 West Stetson Ave., Hemet, California 92545, and to provide an identification or description of the meter or instrument, the date of delivery, and the nature of the problem.

The Warranty provided above is the only warranty made by McCrometer, Inc. with respect to its products or any parts thereof and is made expressly in lieu of any other warranties, by course of dealing, usages of trade or otherwise, expressed or implied, including but not limited to any implied warranties of fitness for any particular purpose or of merchantability under the uniform commercial code. It is agreed this warranty is in lieu of and buyer hereby waives all other warranties, guarantees or liabilities arising by law or otherwise. Seller shall not incur any other obligations or liabilities or be liable to buyer, or any customer of buyer for any anticipated or lost profits, incidental or consequential damages, or any other losses or expenses incurred by reason of the purchase, installation, repair, use or misuse by buyer or third parties of its products (including any parts repaired or replaced); and seller does not authorize any person to assume for seller any other liability in connection with the products or parts thereof. This Warranty cannot be extended, altered or varied except by a written instruction signed by seller and buyer.

This Warranty gives you specific legal rights, and you may also have other rights which vary from state to state.

McCrometer, Inc. reserves the right to make improvements and repairs on product components which are beyond the warranty period at the manufacturer's option and expense, without obligation to renew the expired warranty on the components or on the entire unit. Due to the rapid advancement of meter design technology, McCrometer, Inc. reserves the right to make improvements in design and material without prior notice to the trade.

All sales and all agreements in relation to sales shall be deemed made at the manufacturer's place of business in Hemet, California and any dispute arising from any sale or agreement shall be interpreted under the laws of the State of California.

OTHER  **McCrometer** PRODUCTS INCLUDE:

---



**Propeller  
Flowmeters**



**Differential Pressure  
Flowmeters**



**Magnetic  
Flowmeters**



**Wireless Monitoring  
System**